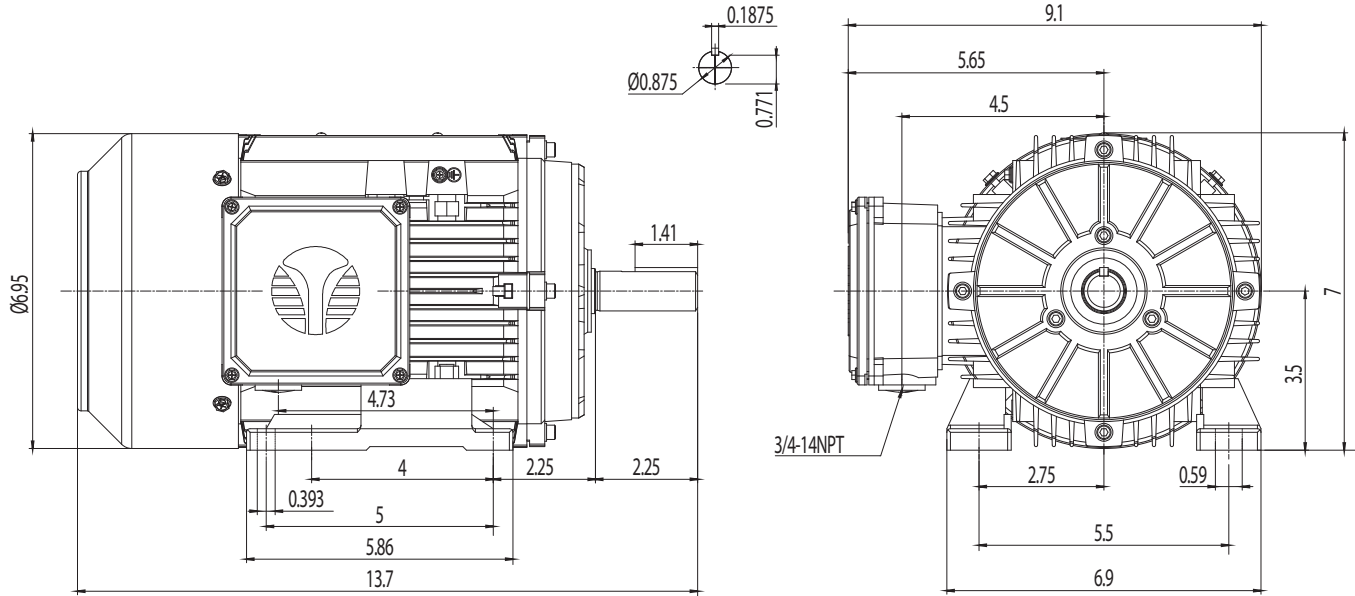


**NEMA**

**Model GRA0012F-01**  
**MFG PN: T143T1.5U2B**



NAMEPLATE DATA	60Hz	50Hz
Horse Power	1.5	1.5
RPM	3500	-
Voltage	575	-
Full Load Amps	1.64	-
Service Factor	1.25	-
KVA Code	L	-
Full Load Amps (208V)	-	-
Nominal Efficiency	84	-
Nominal Power Factor	0.8	-
Design	B	
Frame	143T	
Enclosure Type	TEFC	
IP Rating	55	
Duty	Cont. / S1	
Insulation Class	F	
Ambient Rating	40	
Drive End Bearing	6205 ZZ	
Opposite Drive End Bearing	6205 ZZ	
Weight (lbs)	25	

**NAMEPLATE LAYOUT**

VFD DUTY (S.F. 1.0)	RATIO	Hz*
Variable Torque	30:1	2 - 60
Constant Torque	15:1	4 - 60

\*For max speed please contact Techtop Canada

HAZARDOUS LOCATIONS	CSA CERTIFIED
Class / Division	Class I, Division II
Groups	A, B, C & D

**Questions? Call 1.888.286.1820**