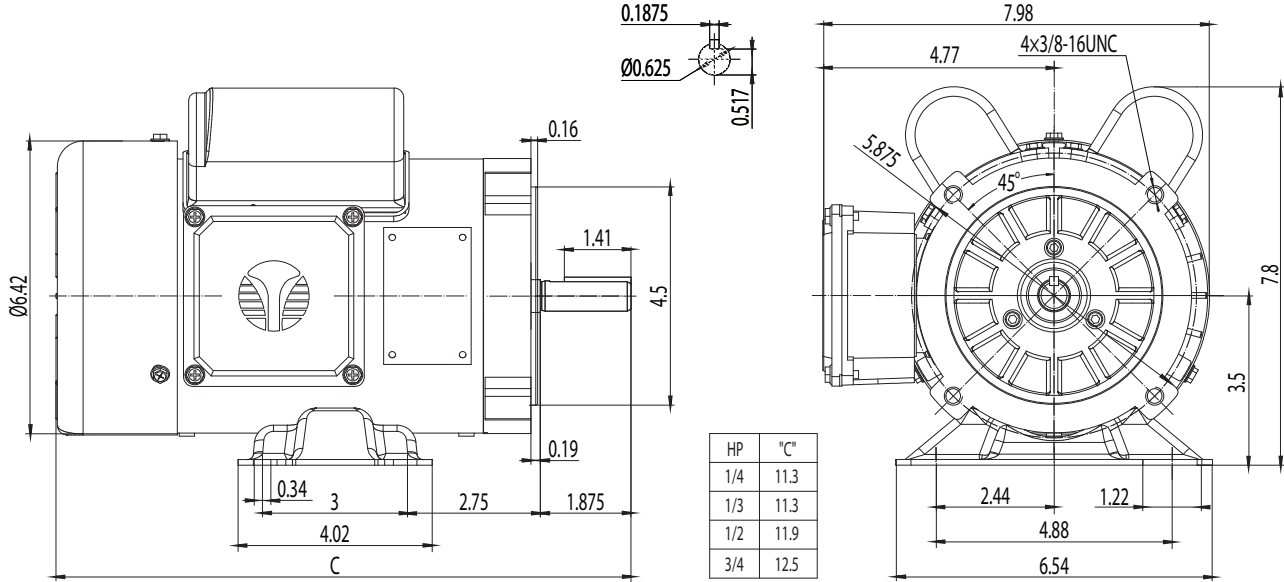
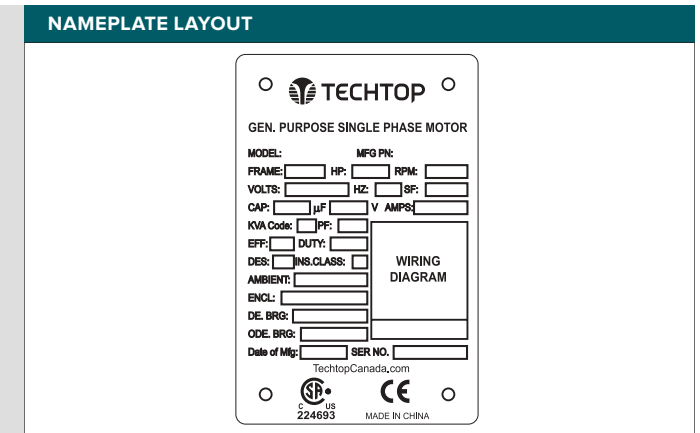


**NEMA**

**Model GPS.254C-C-01**  
**MFG PN: SLF561/4Z4L**



NAMEPLATE DATA	60Hz	50Hz
Horse Power	0.25	-
RPM	1725	-
Voltage	115/208-230	-
Full Load Amps	3.0/1.6-1.5	-
Service Factor	1.15	-
KVA Code	K	-
Full Load Amps (208V)	1.6	-
Nominal Efficiency	65	-
Nominal Power Factor	0.84	-
Design	L	
Frame	56C	
Enclosure Type	TEFC	
IP Rating	54	
Duty	Cont. / S1	
Insulation Class	F	
Ambient Rating	40	
Drive End Bearing	6203-2RS	
Opposite Drive End Bearing	6202-2RS	
Weight (lbs)	21	



CAPACITOR DATA	μF	VOLTAGE
Start Capacitor	150	125
Run Capacitor	25	-

\*For max speed please contact Techtop Canada

HAZARDOUS LOCATIONS	-
Class / Division	-
Groups	-

**Questions? Call 1.888.286.1820**