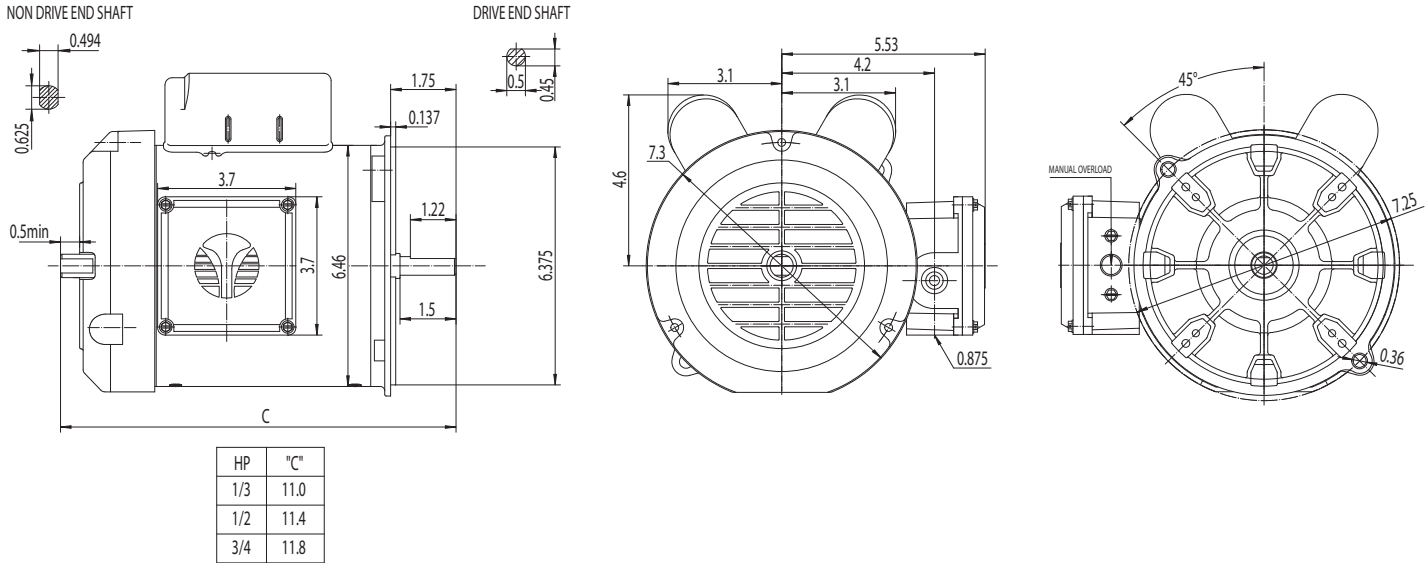
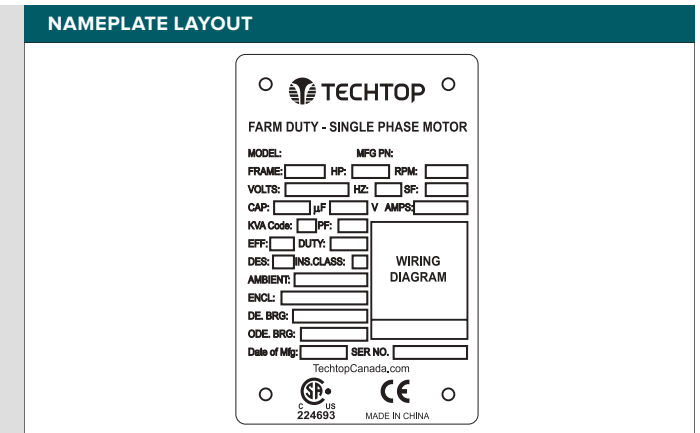


NEMA

Model FDA.334C-Y-RND
 MFG PN: SLF561/3Z4L



NAMEPLATE DATA	60Hz	50Hz
Horse Power	0.33	-
RPM	1725	-
Voltage	115/208-230	-
Full Load Amps	3.7/2.0-1.85	-
Service Factor	1.15	-
KVA Code	N	-
Full Load Amps (208V)	2	-
Nominal Efficiency	67	-
Nominal Power Factor	0.9	-
Design	L	
Frame	56Y	
Enclosure Type	TEFC	
IP Rating	54	
Duty	Cont. / S1	
Insulation Class	F	
Ambient Rating	40	
Drive End Bearing	6203-2RS	
Opposite Drive End Bearing	6203-2RS	
Weight (lbs)	-	



CAPACITOR DATA	μF	VOLTAGE
Start Capacitor	150	165
Run Capacitor	30	-

*For max speed please contact Techttop Canada

HAZARDOUS LOCATIONS	-
Class / Division	-
Groups	-

Questions? Call 1.888.286.1820