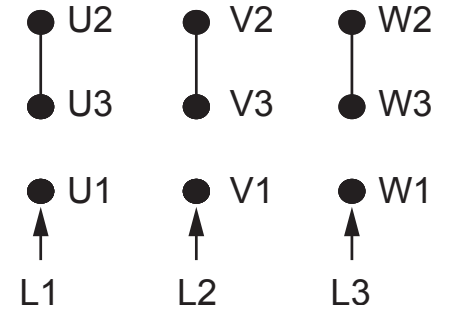
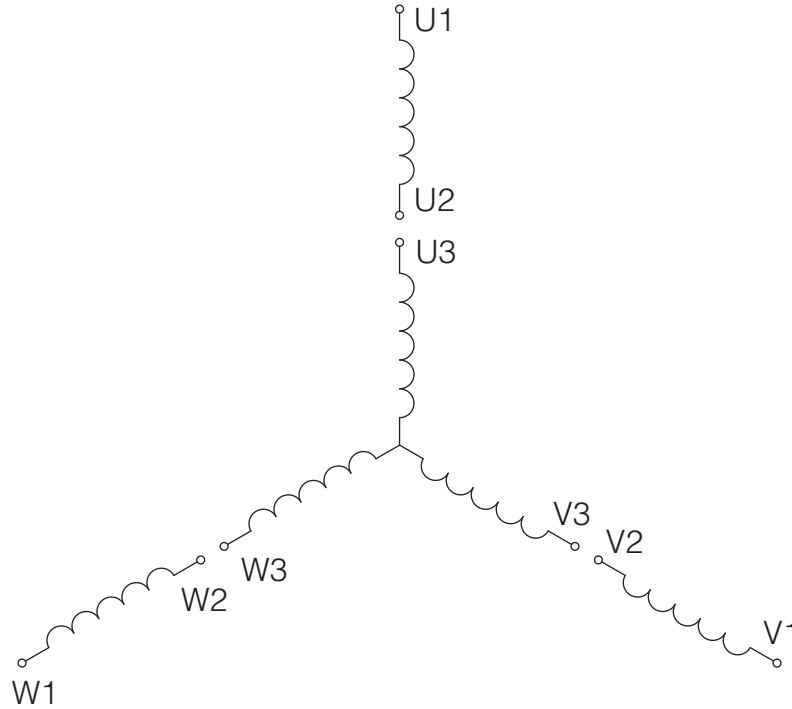


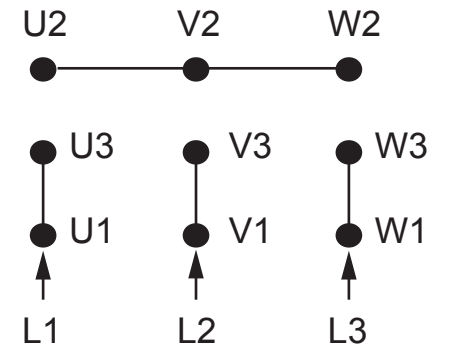


Model MTP132SB2D-01

MFG PN: TAX132S2-2



HIGH VOLTAGE (Y)



LOW VOLTAGE (YY)

NOTES:

1. CCW ROTATION FACING ODE FOR CONNECTIONS SHOWN
2. TO REVERSE ROTATION, SWAP ANY TWO INPUT LINES
3. WHEN MOTOR IS IN F1 POSITION, LEADS INDICATED WITH "\*" EXIT THE CASING ABOVE THE CENTER LINE OF THE MOTOR, THE REMAINING LEADS EXIT BELOW THE CENTER LINE
4. LEADS MUST BE NUMBERED AND COLORED AS SHOWN
5. DIAGRAMS FOR REFERENCE ONLY



IEC 30 YY/Y 9-Lead/9-Post Dual Voltage

<b>DRAWING NUMBER:</b>	IEC-3-9-YY-Y	<b>ISSUED DATE</b>	20/06/19
<b>CONNECTION:</b>	YY/Y	METRIC IE3 PREMIUM MOTORS	
<b>NUMBER OF LEADS:</b>	9		
<b>THERMAL PROTECTION:</b>	Optional		