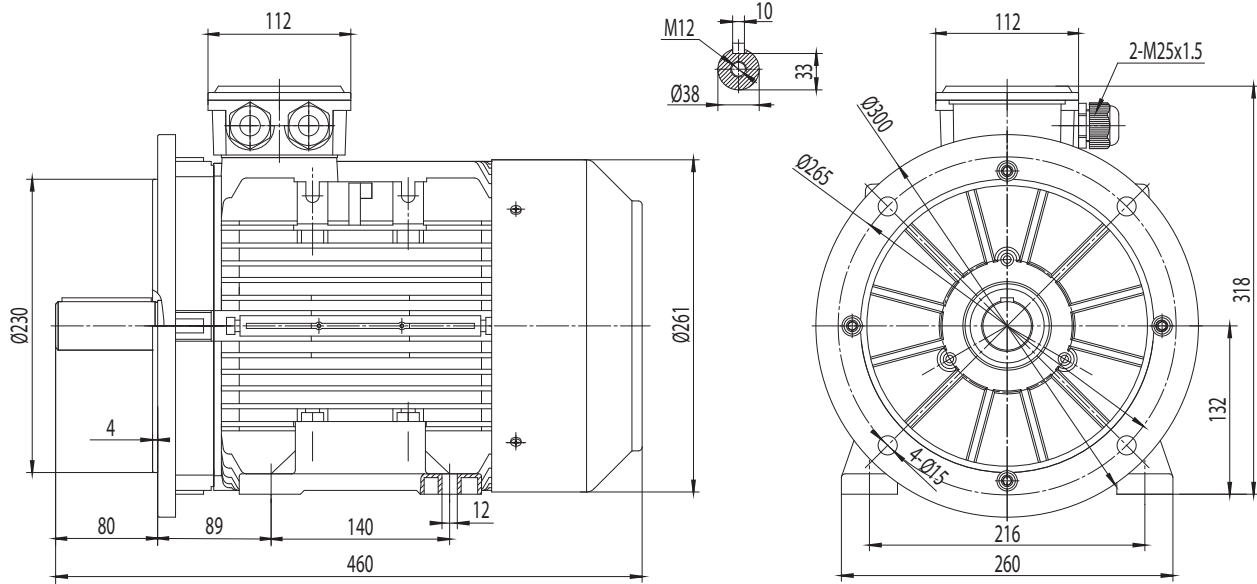




Model MTP132SA2F-B35-01
MFG PN: TAX132S1-2-F



NAMEPLATE DATA	60Hz	50Hz
HP/kW	7.5/5.5	7.5/5.5
RPM	3520	-
Voltage	575	-
Full Load Amps	6.78	-
Service Factor	1.15	1
KVA Code	K	-
Full Load Amps (208V)	-	-
Nominal Efficiency	89.5	-
Nominal Power Factor	0.91	-
Design	-	
Frame	132S	
Enclosure Type	TEFC	
IP Rating	55	
Duty	Cont. / S1	
Insulation Class	F	
Ambient Rating	40	
Drive End Bearing	6308ZZ	
Opposite Drive End Bearing	6208ZZ	
Weight (lbs)	96	

NAMEPLATE LAYOUT

VFD DUTY (S.F. 1.0)	RATIO	Hz*
Variable Torque	30:1	2 - 60
Constant Torque	15:1	4 - 60

*For max speed please contact Techtop Canada

HAZARDOUS LOCATIONS	COMPLIANT ONLY	
Class / Division	I	II
Groups	A, B, C and D	

Questions? Call 1.888.286.1820