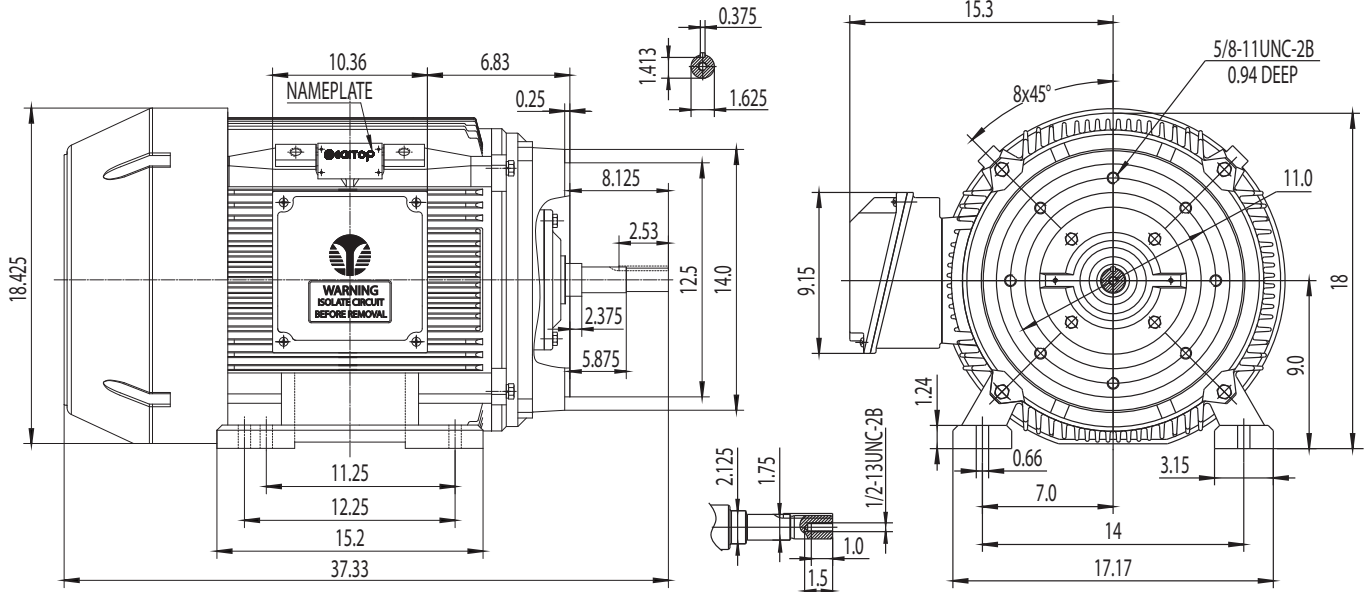


**NEMA**

**Model JPC0506DP**  
**MFG PN: TXC365T50U6B**



NAMEPLATE DATA	60Hz	50Hz
Horse Power	50	50
RPM	1185	980
Voltage	230/460	190/380
Full Load Amps	116/58	140/70
Service Factor	1.15	1
KVA Code	K	H
Full Load Amps (208V)	-	-
Nominal Efficiency	94.1	93
Nominal Power Factor	0.86	-
Design	A	
Frame	365JP	
Enclosure Type	TEFC	
IP Rating	55	
Duty	Cont. / S1	
Insulation Class	F	
Ambient Rating	40	
Drive End Bearing	6313C3	
Opposite Drive End Bearing	6313C3	
Weight (lbs)	824.7	

**NAMEPLATE LAYOUT**

VFD DUTY (S.F. 1.0)	RATIO	Hz*
Variable Torque	1000:1	2 - 60
Constant Torque	15:1	4 - 60

\*For max speed please contact Techtop Canada

HAZARDOUS LOCATIONS	CSA CERTIFIED	
Class / Division	I	II
Groups	A, B, C and D	

**Questions? Call 1.888.286.1820**