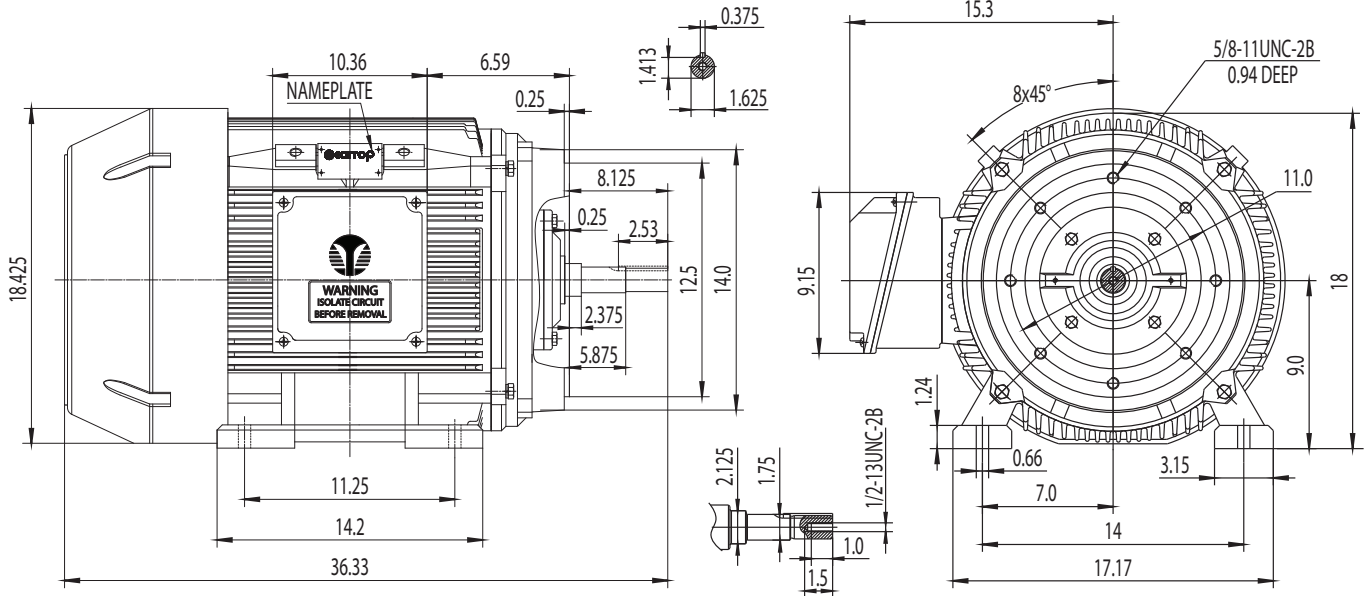


NEMA

Model JPC0406FP
MFG PN: TXC365T40U6B-5



NAMEPLATE DATA	60Hz	50Hz
Horse Power	40	40
RPM	1185	-
Voltage	575	-
Full Load Amps	37.02	-
Service Factor	1.15	-
KVA Code	K	-
Full Load Amps (208V)	-	-
Nominal Efficiency	94.1	-
Nominal Power Factor	0.86	-
Design	A	
Frame	364JP	
Enclosure Type	TEFC	
IP Rating	55	
Duty	Cont. / S1	
Insulation Class	F	
Ambient Rating	40	
Drive End Bearing	6313C3	
Opposite Drive End Bearing	6313C3	
Weight (lbs)	758.5	

NAMEPLATE LAYOUT

TECHTOP INDUSTRIAL THREE PHASE PUMP MOTOR
INVERTER DUTY 1000:1 VT - 1.0 SF

MODEL: _____ TECHTOPCANADA.COM

NEMA Premium	60Hz	50Hz	MFG PN	_____
	HP	_____	MFG DATE	_____
	RPM	_____	SER #	_____
	VOLT	_____	DESIGN	_____
	FLA	_____	FRAME	_____
	SF	_____	ENCL	_____
	KVA CODE	_____	IP	_____
NOM.EFF	_____	DUTY	_____	
BEARING SIZE				
DE	ODE	INS CL	_____	
GREASE: MOBIL POLYREX EM		AMB	_____	
MADE IN CHINA CLASS 1, DIV 2, GROUPS A, B, C AND D		WEIGHT	_____ lbs	

IEEE 45 MARINE DUTY

VFD DUTY (S.F. 1.0)	RATIO	Hz*
Variable Torque	1000:1	2 - 60
Constant Torque	15:1	4 - 60

*For max speed please contact Techtop Canada

HAZARDOUS LOCATIONS	CSA CERTIFIED	
Class / Division	I	II
Groups	A, B, C and D	

Questions? Call 1.888.286.1820