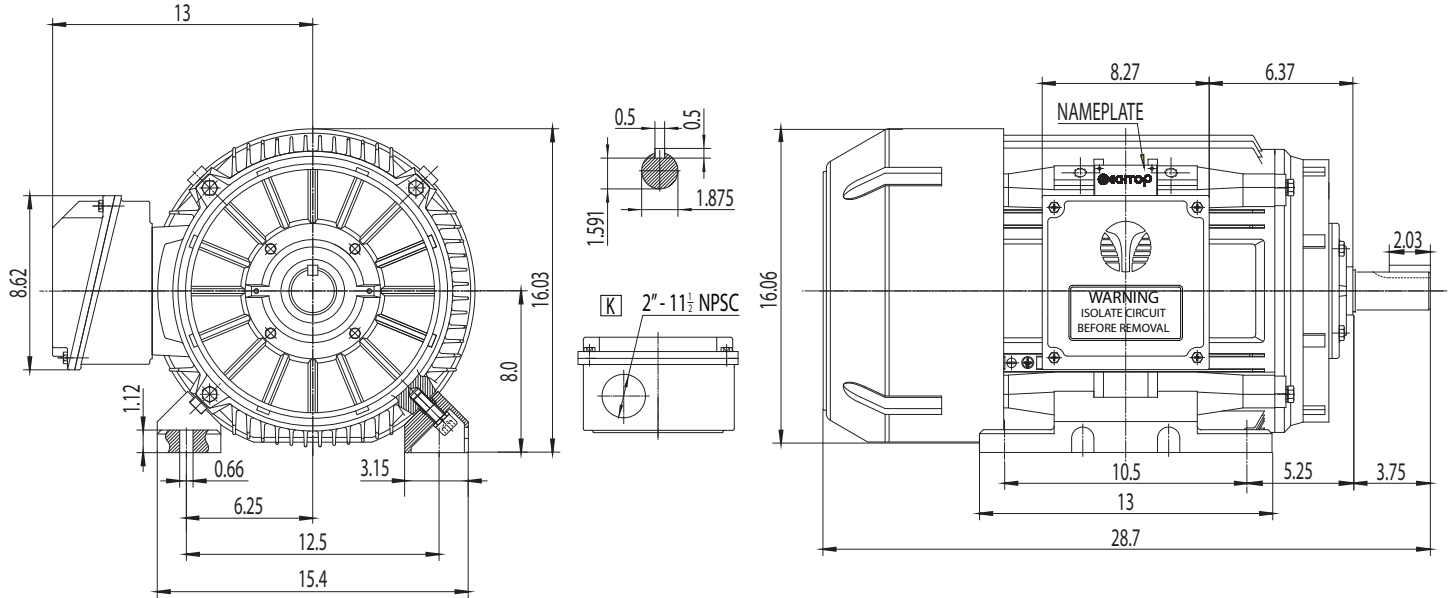


NEMA

Model JPC0402DP
MFG PN: TXC324T40U2B



NAMEPLATE DATA	60Hz	50Hz
Horse Power	40	40
RPM	0	-
Voltage	230/460	190/380
Full Load Amps	#N/A	#N/A
Service Factor	1.25	1
KVA Code	#N/A	#N/A
Full Load Amps (208V)	-	-
Nominal Efficiency	-	-
Nominal Power Factor	-	-
Design	#N/A	
Frame	324TS	
Enclosure Type	TEFC	
IP Rating	55	
Duty	Cont. / S1	
Insulation Class	F	
Ambient Rating	40	
Drive End Bearing	6312C3	
Opposite Drive End Bearing	6312C3	
Weight (lbs)	-	

NAMEPLATE LAYOUT			
		INDUSTRIAL THREE PHASE MOTOR INVERTER DUTY 15:1 CT 30:1 VT - 1.0 SF	
MODEL			TECHTOPCANADA.COM
NEMA Premium [®]	60Hz	50Hz	MFG PN
	HP		MFG DATE
	RPM		SER #
	VOLT		DESIGN
	FLA		FRAME
	SF		ENCL
	KVA CODE		IP
NOM.EFF		DUTY	
INS CL		AMB	
WEIGHT		lbs	
USABLE AT 208V 60Hz	BEARING SIZE		CE E323353 UL E323353 C 224693 UL E323353 Energy Verified Only
FLA	DE	ODE	
GREASE: MOBIL POLYREX EM			IEEE 45 MARINE DUTY
MADE IN CHINA CLASS 1, DIV 2, GROUPS A, B, C AND D			

VFD DUTY (S.F. 1.0)	RATIO	Hz*
Variable Torque	30:1	2 - 60
Constant Torque	15:1	4 - 60

*For max speed please contact Techtop Canada

HAZARDOUS LOCATIONS	CSA CERTIFIED	
Class / Division	I	II
Groups	A, B, C and D	

Questions? Call 1.888.286.1820