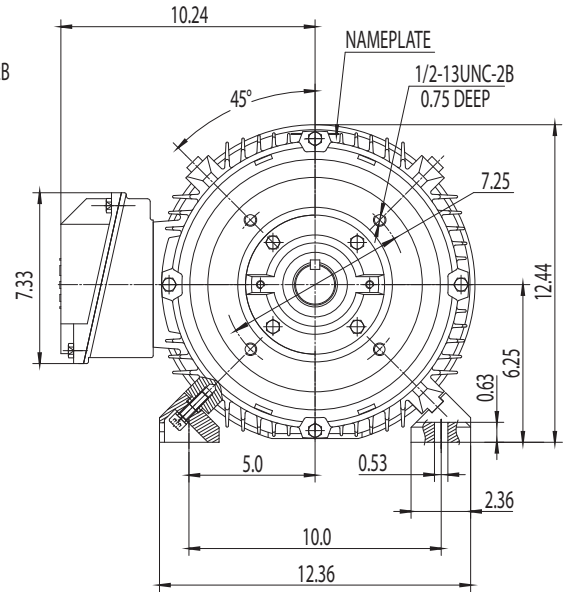
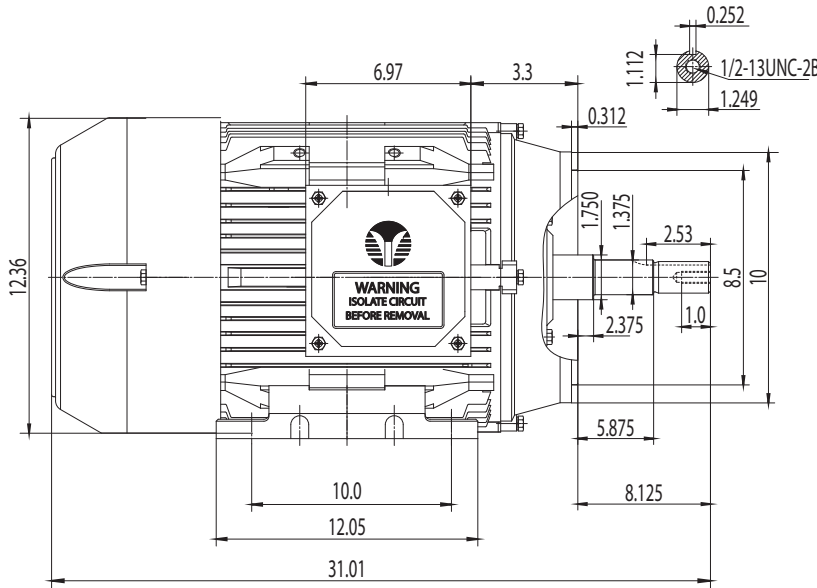


NEMA

Model JPC0252FPS
MFG PN: TXC256T25U2B



NAMEPLATE DATA	60Hz	50Hz
Horse Power	25	25
RPM	3550	-
Voltage	575	-
Full Load Amps	24.02	-
Service Factor	1.25	-
KVA Code	M	-
Full Load Amps (208V)	-	-
Nominal Efficiency	91.7	-
Nominal Power Factor	-	-
Design	-	
Frame	256JP	
Enclosure Type	TEFC	
IP Rating	55	
Duty	Cont. / S1	
Insulation Class	F	
Ambient Rating	40	
Drive End Bearing	6309C3	
Opposite Drive End Bearing	6309C3	
Weight (lbs)	-	

NAMEPLATE LAYOUT

VFD DUTY (S.F. 1.0)	RATIO	Hz*
Variable Torque	1000:1	2 - 60
Constant Torque	15:1	4 - 60

*For max speed please contact Techtop Canada

HAZARDOUS LOCATIONS	CSA CERTIFIED	
Class / Division	I	II
Groups	A, B, C and D	

Questions? Call 1.888.286.1820