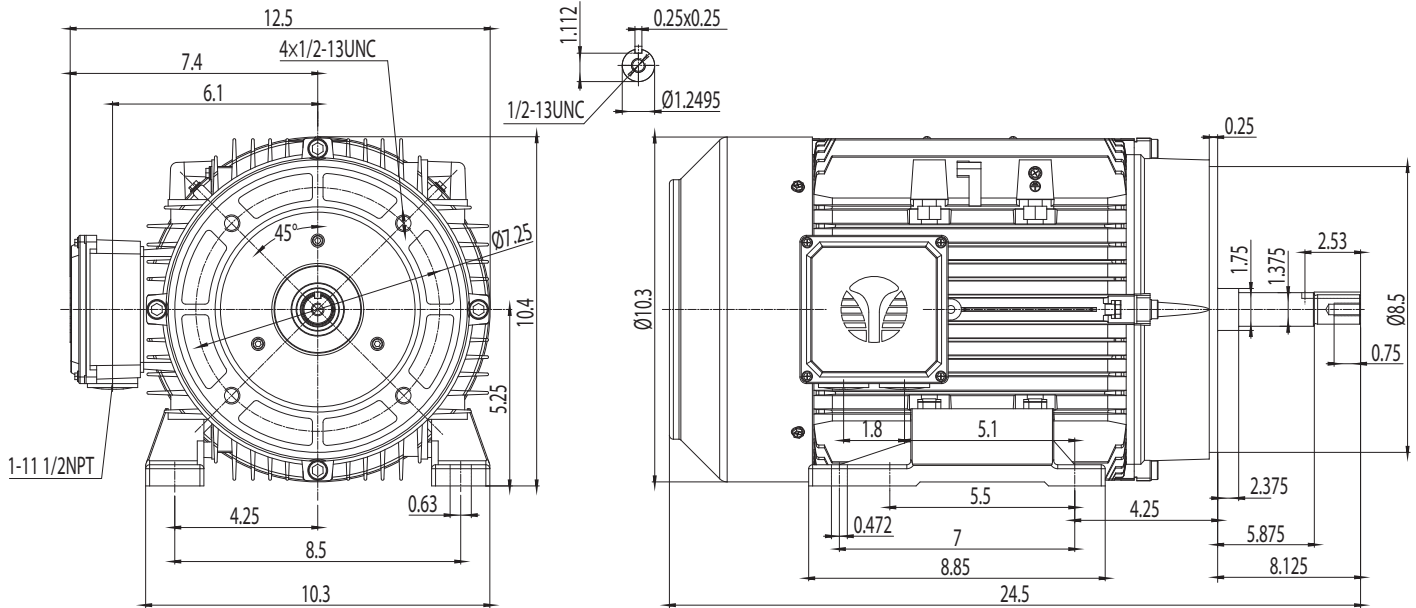


NEMA

Model JPA0104DP
MFG PN: TXA215T10U4B



NAMEPLATE DATA	60Hz	50Hz
Horse Power	10	10
RPM	1760	1455
Voltage	230/460	190/380
Full Load Amps	23.9/12.0	28.0/14.0
Service Factor	1.25	1
KVA Code	L	J
Full Load Amps (208V)	26.3	-
Nominal Efficiency	91.7	90.8
Nominal Power Factor	0.86	-
Design	A	
Frame	215JP	
Enclosure Type	TEFC	
IP Rating	55	
Duty	Cont. / S1	
Insulation Class	F	
Ambient Rating	40	
Drive End Bearing	6210 2RS	
Opposite Drive End Bearing	6208 2RS	
Weight (lbs)	131	

NAMEPLATE LAYOUT

TECHTOP INDUSTRIAL THREE PHASE PUMP MOTOR
 INVERTER DUTY 1000:1 VT - 1.0 SF

MODEL: [] 60Hz 50Hz MFG PN: []
 MFG DATE: []
 SER #: []
 DESIGN: []
 FRAME: []
 ENCL / IP: []
 DUTY: []
 INS CL: []
 AMB: []
 DE: []
 ODE: []
 WEIGHT: [] lbs

CLASS 1, DIV 2, GROUPS A, B, C AND D
 MADE IN CHINA

VFD DUTY (S.F. 1.0)	RATIO	Hz*
Variable Torque	1000:1	2 - 60
Constant Torque	15:1	4 - 60

*For max speed please contact Techtop Canada

HAZARDOUS LOCATIONS	CSA CERTIFIED	
Class / Division	I	II
Groups	A, B, C and D	

Questions? Call 1.888.286.1820