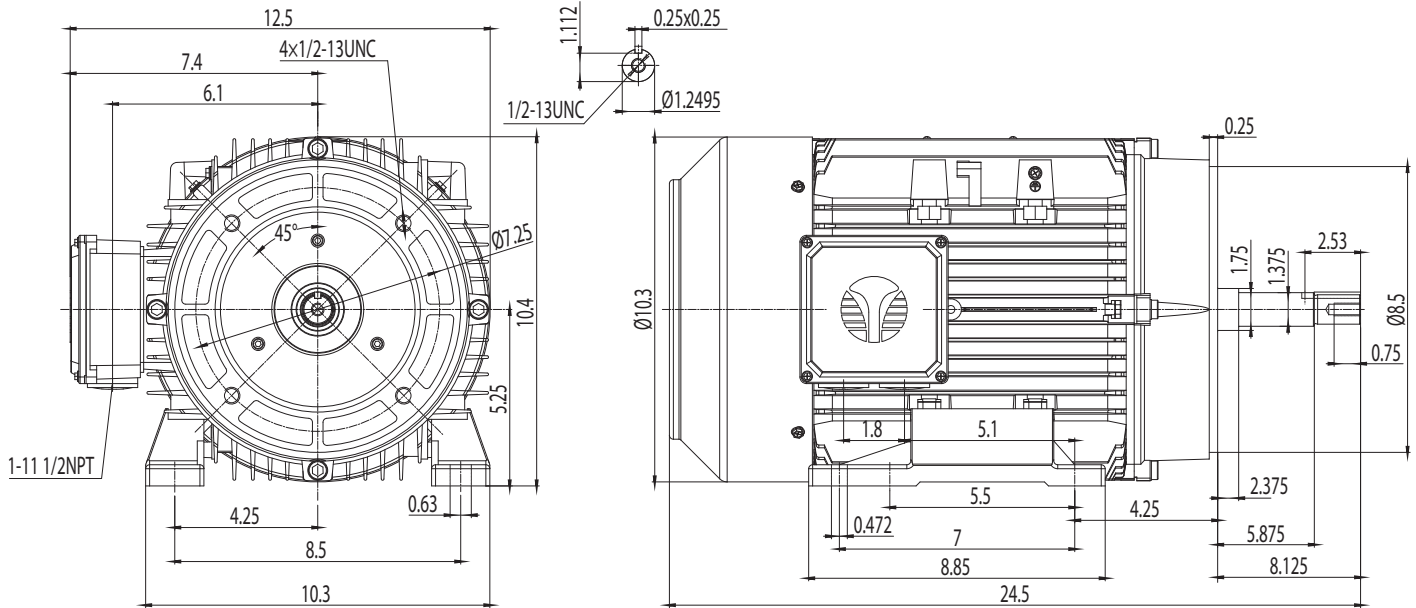
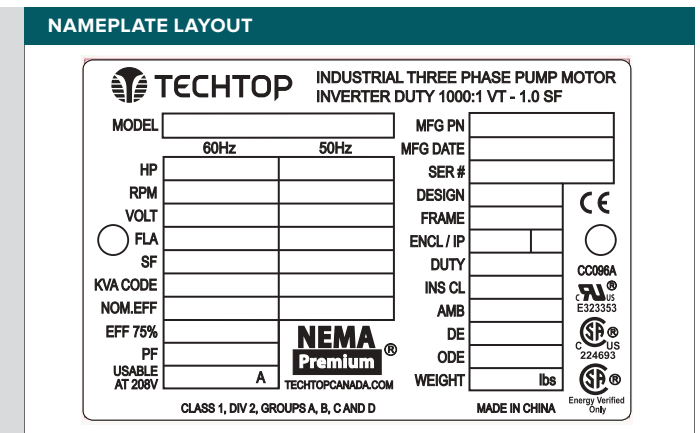


NEMA

Model JPA0056DP
MFG PN: TXA215T5U6B



NAMEPLATE DATA	60Hz	50Hz
Horse Power	5	5
RPM	1170	965
Voltage	230/460	190/380
Full Load Amps	14.2/7.11	16.7/8.35
Service Factor	1.25	1
KVA Code	J	H
Full Load Amps (208V)	15.4	-
Nominal Efficiency	89.5	87.5
Nominal Power Factor	0.73	-
Design	A	
Frame	215JP	
Enclosure Type	TEFC	
IP Rating	55	
Duty	Cont. / S1	
Insulation Class	F	
Ambient Rating	40	
Drive End Bearing	6210 2RS	
Opposite Drive End Bearing	6208 2RS	
Weight (lbs)	113	



VFD DUTY (S.F. 1.0)	RATIO	Hz*
Variable Torque	1000:1	2 - 60
Constant Torque	15:1	4 - 60

*For max speed please contact Techtop Canada

HAZARDOUS LOCATIONS	CSA CERTIFIED	
Class / Division	I	II
Groups	A, B, C and D	

Questions? Call 1.888.286.1820