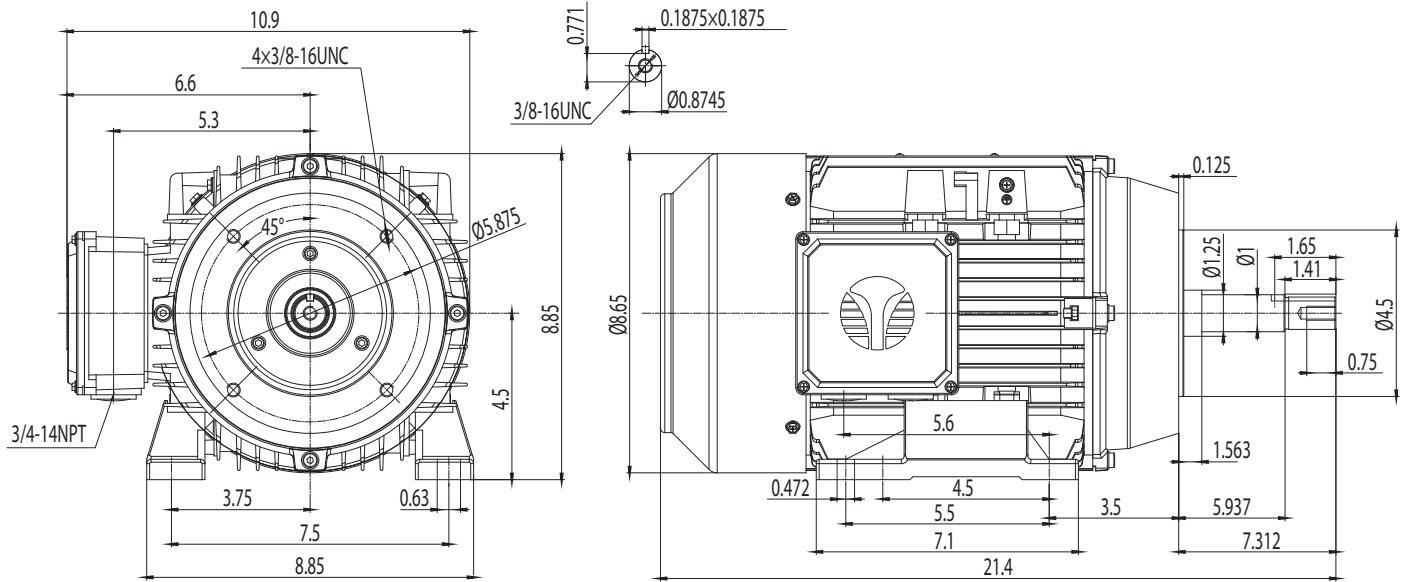


NEMA

Model JPA0052DP
MFG PN: TXA184T5U2B



NAMEPLATE DATA	60Hz	50Hz
Horse Power	5	5
RPM	3510	2900
Voltage	230/460	190/380
Full Load Amps	11.5/5.77	13.5/6.75
Service Factor	1.25	1
KVA Code	L	J
Full Load Amps (208V)	12.7	-
Nominal Efficiency	88.5	87.1
Nominal Power Factor	0.91	-
Design	A	
Frame	184JP	
Enclosure Type	TEFC	
IP Rating	55	
Duty	Cont. / S1	
Insulation Class	F	
Ambient Rating	40	
Drive End Bearing	6207 2RS	
Opposite Drive End Bearing	6206 2RS	
Weight (lbs)	62	

NAMEPLATE LAYOUT

VFD DUTY (S.F. 1.0)	RATIO	Hz*
Variable Torque	1000:1	2 - 60
Constant Torque	15:1	4 - 60

*For max speed please contact Techtop Canada

HAZARDOUS LOCATIONS	CSA CERTIFIED	
Class / Division	I	II
Groups	A, B, C and D	

Questions? Call 1.888.286.1820