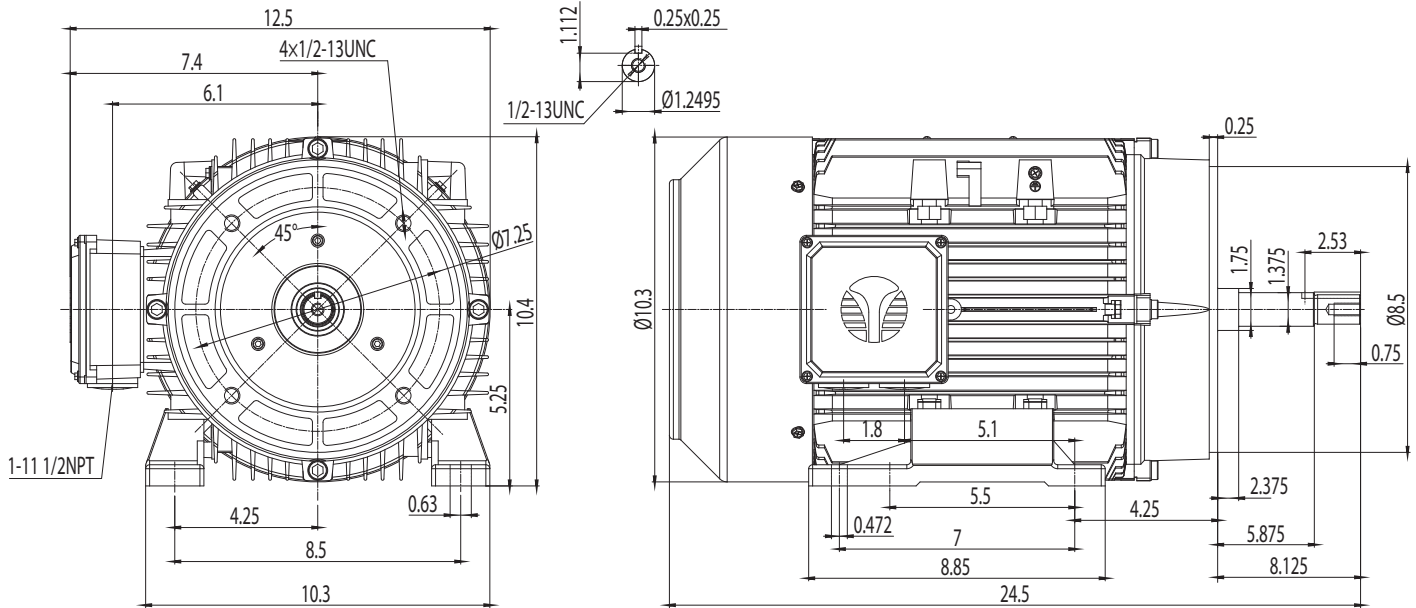
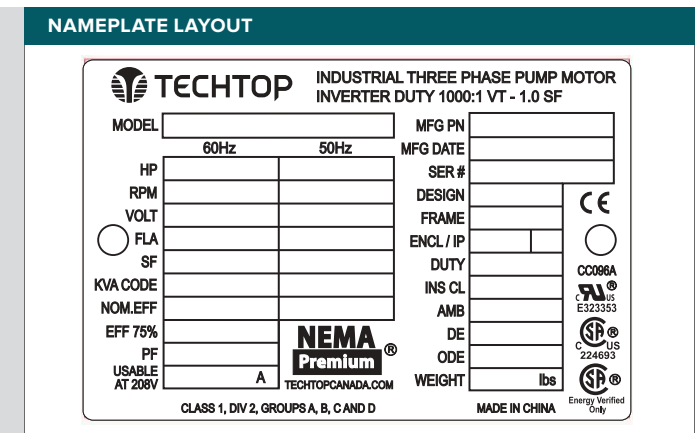


NEMA

Model JPA0036DP
MFG PN: TXA213T3U6B



NAMEPLATE DATA	60Hz	50Hz
Horse Power	3	3
RPM	1175	975
Voltage	230/460	190/380
Full Load Amps	8.58/4.29	10.1/5.05
Service Factor	1.25	1
KVA Code	K	J
Full Load Amps (208V)	9.23	-
Nominal Efficiency	89.5	88.1
Nominal Power Factor	0.71	-
Design	A	
Frame	213JP	
Enclosure Type	TEFC	
IP Rating	55	
Duty	Cont. / S1	
Insulation Class	F	
Ambient Rating	40	
Drive End Bearing	6210 2RS	
Opposite Drive End Bearing	6208 2RS	
Weight (lbs)	73.5	



VFD DUTY (S.F. 1.0)	RATIO	Hz*
Variable Torque	1000:1	2 - 60
Constant Torque	15:1	4 - 60

*For max speed please contact Techtop Canada

HAZARDOUS LOCATIONS	CSA CERTIFIED	
Class / Division	I	II
Groups	A, B, C and D	

Questions? Call 1.888.286.1820