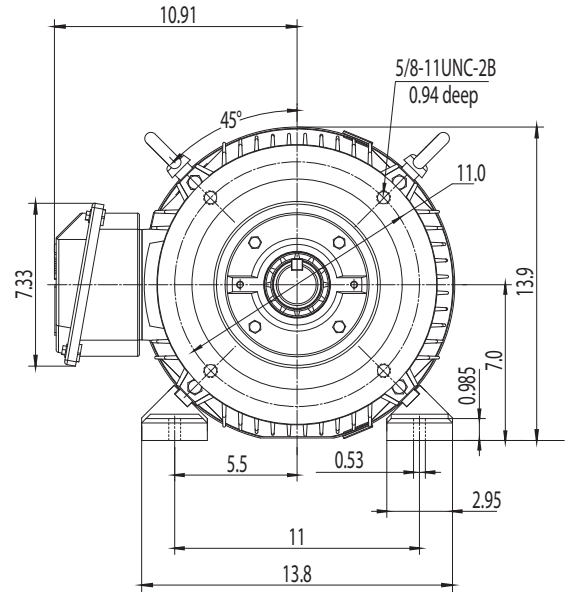
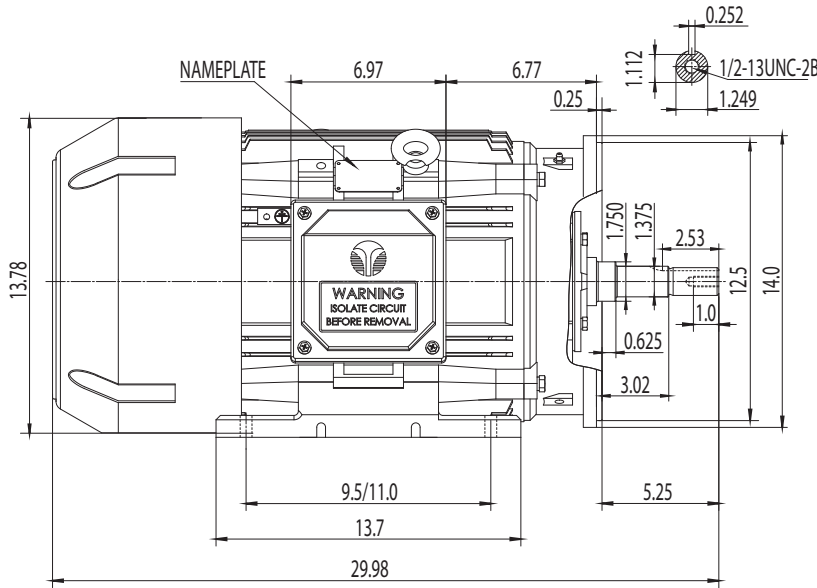


NEMA

Model JMC0402FPS
MFG PN: TXC286TS402UB



NAMEPLATE DATA	60Hz	50Hz
Horse Power	40	40
RPM	3555	-
Voltage	575	-
Full Load Amps	36.40	-
Service Factor	1.25	-
KVA Code	H	-
Full Load Amps (208V)	-	-
Nominal Efficiency	92.4	-
Nominal Power Factor	-	-
Design	-	
Frame	286JM	
Enclosure Type	TEFC	
IP Rating	55	
Duty	Cont. / S1	
Insulation Class	F	
Ambient Rating	40	
Drive End Bearing	6311C3	
Opposite Drive End Bearing	6311C3	
Weight (lbs)	-	

NAMEPLATE LAYOUT			
		INDUSTRIAL THREE PHASE PUMP MOTOR INVERTER DUTY 1000:1 VT - 1.0 SF	
MODEL			TECHTOPCANADA.COM
NEMA Premium	60Hz	50Hz	MFG PN
HP			MFG DATE
RPM			SER #
VOLT			DESIGN
FLA			FRAME
SF			ENCL
KVA CODE			IP
NOM.EFF			DUTY
BEARING SIZE			INS CL
DE	ODE		AMB
GREASE: MOBIL POLYREX EM			WEIGHT
MADE IN CHINA CLASS 1, DIV 2, GROUPS A, B, C AND D			lbs
			IEEE 45 MARINE DUTY

VFD DUTY (S.F. 1.0)	RATIO	Hz*
Variable Torque	1000:1	2 - 60
Constant Torque	15:1	4 - 60

*For max speed please contact Techtop Canada

HAZARDOUS LOCATIONS	CSA CERTIFIED	
Class / Division	I	II
Groups	A, B, C and D	

Questions? Call 1.888.286.1820