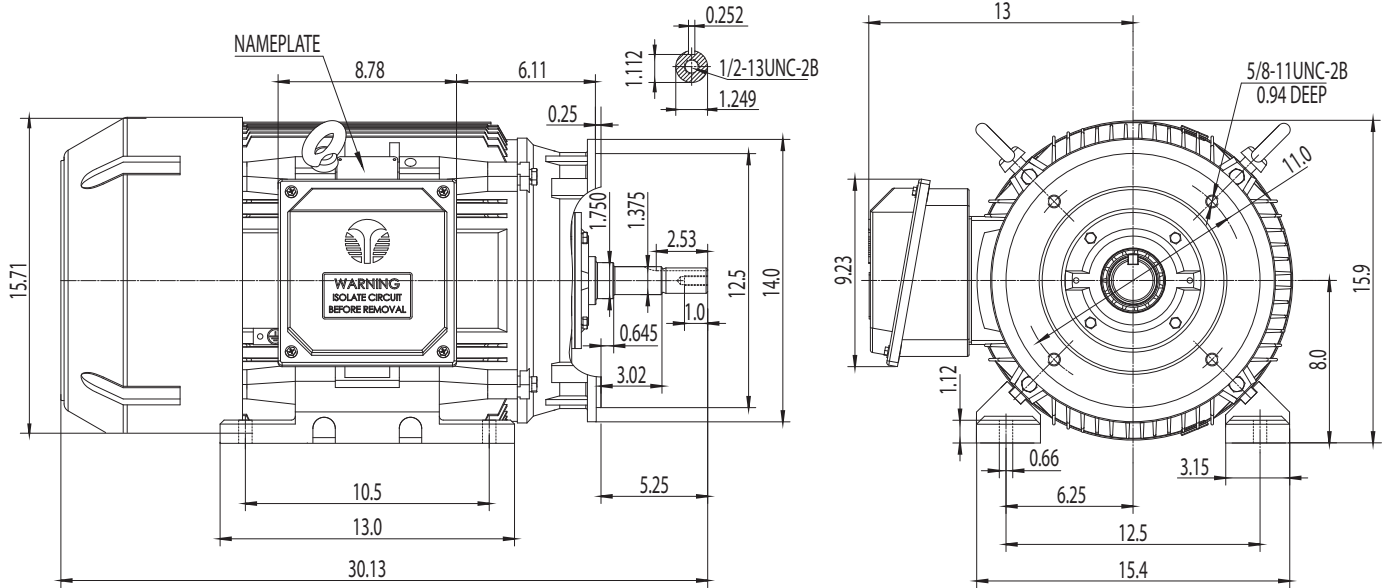


**NEMA**

**Model JMC0402FP**  
 MFG PN: TXC324T40U2B-5



NAMEPLATE DATA	60Hz	50Hz
Horse Power	40	40
RPM	3555	-
Voltage	575	-
Full Load Amps	36.43	-
Service Factor	1.25	-
KVA Code	H	-
Full Load Amps (208V)	-	-
Nominal Efficiency	92.4	-
Nominal Power Factor	0.89	-
Design	A	
Frame	324JM	
Enclosure Type	TEFC	
IP Rating	55	
Duty	Cont. / S1	
Insulation Class	F	
Ambient Rating	40	
Drive End Bearing	6312C3	
Opposite Drive End Bearing	6312C3	
Weight (lbs)	517	

**NAMEPLATE LAYOUT**

VFD DUTY (S.F. 1.0)	RATIO	Hz*
Variable Torque	1000:1	2 - 60
Constant Torque	15:1	4 - 60

\*For max speed please contact Techtop Canada

HAZARDOUS LOCATIONS	CSA CERTIFIED	
Class / Division	I	II
Groups	A, B, C and D	

**Questions? Call 1.888.286.1820**