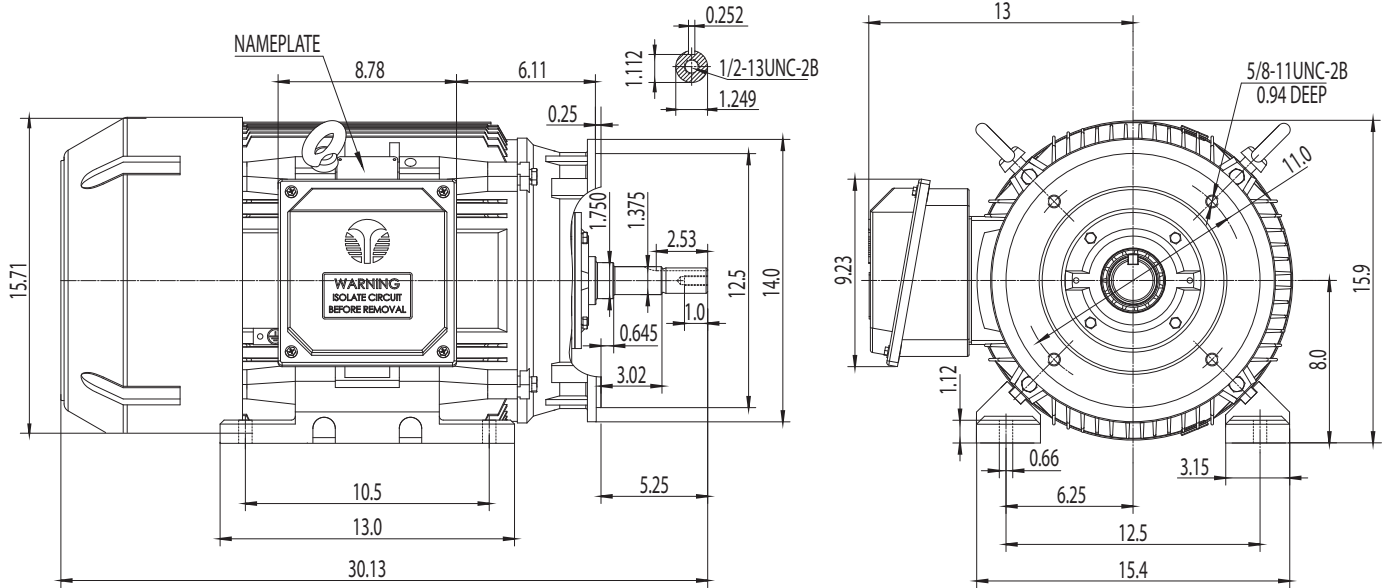


**NEMA**

**Model JMC0256DP**  
 MFG PN: TXC324T25U6B-A



NAMEPLATE DATA	60Hz	50Hz
Horse Power	25	25
RPM	1180	970
Voltage	230/460	190/380
Full Load Amps	62.2/31.1	75.6/37.8
Service Factor	1.25	1
KVA Code	K	H
Full Load Amps (208V)	68.7205942595	-
Nominal Efficiency	93	90.8
Nominal Power Factor	0.81	-
Design	A	
Frame	324JM	
Enclosure Type	TEFC	
IP Rating	55	
Duty	Cont. / S1	
Insulation Class	F	
Ambient Rating	40	
Drive End Bearing	6312C3	
Opposite Drive End Bearing	6312C3	
Weight (lbs)	532.4	

**NAMEPLATE LAYOUT**

VFD DUTY (S.F. 1.0)	RATIO	Hz*
Variable Torque	1000:1	2 - 60
Constant Torque	15:1	4 - 60

\*For max speed please contact Techtop Canada

HAZARDOUS LOCATIONS	CSA CERTIFIED	
Class / Division	I	II
Groups	A, B, C and D	

**Questions? Call 1.888.286.1820**