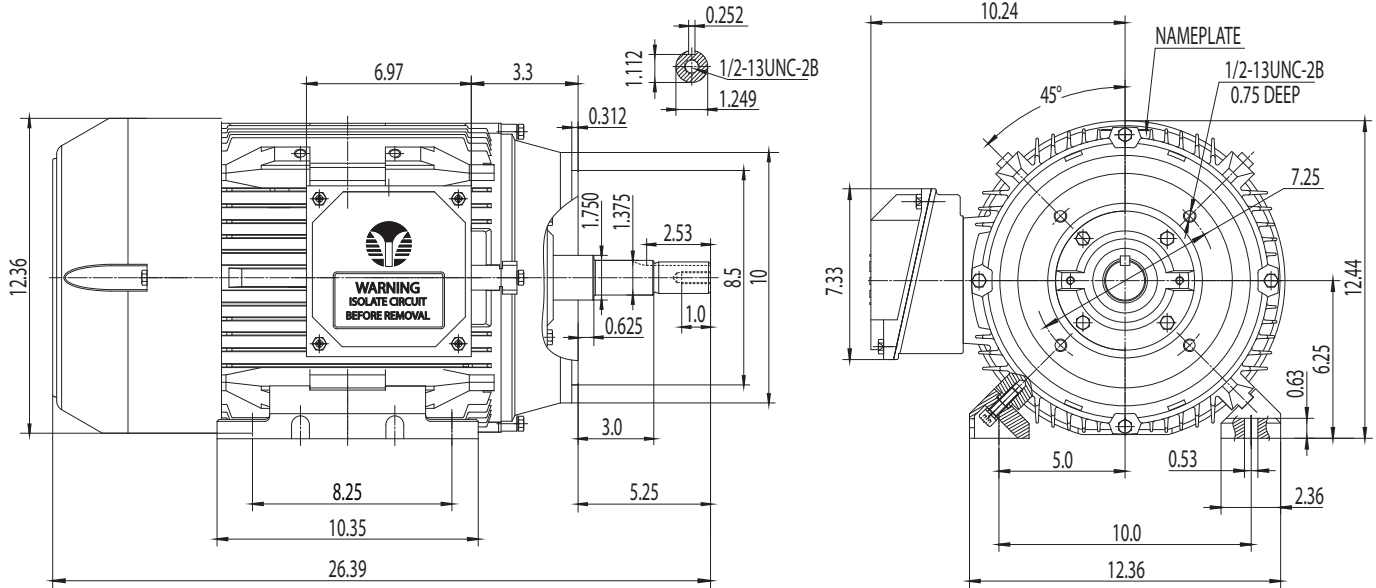


NEMA

Model JMC0152DP
MFG PN: TXC254T15U2B-A



NAMEPLATE DATA	60Hz	50Hz
Horse Power	15	15
RPM	3550	2945
Voltage	230/460	190/380
Full Load Amps	33.6/16.8	40.4/20.2
Service Factor	1.25	1
KVA Code	K	G
Full Load Amps (208V)	37.1002558449	-
Nominal Efficiency	91	90.3
Nominal Power Factor	0.92	-
Design	A	
Frame	254JM	
Enclosure Type	TEFC	
IP Rating	55	
Duty	Cont. / S1	
Insulation Class	F	
Ambient Rating	40	
Drive End Bearing	6309C3	
Opposite Drive End Bearing	6309C3	
Weight (lbs)	271.7	

NAMEPLATE LAYOUT

VFD DUTY (S.F. 1.0)	RATIO	Hz*
Variable Torque	1000:1	2 - 60
Constant Torque	15:1	4 - 60

*For max speed please contact Techtop Canada

HAZARDOUS LOCATIONS	CSA CERTIFIED	
Class / Division	I	II
Groups	A, B, C and D	

Questions? Call 1.888.286.1820