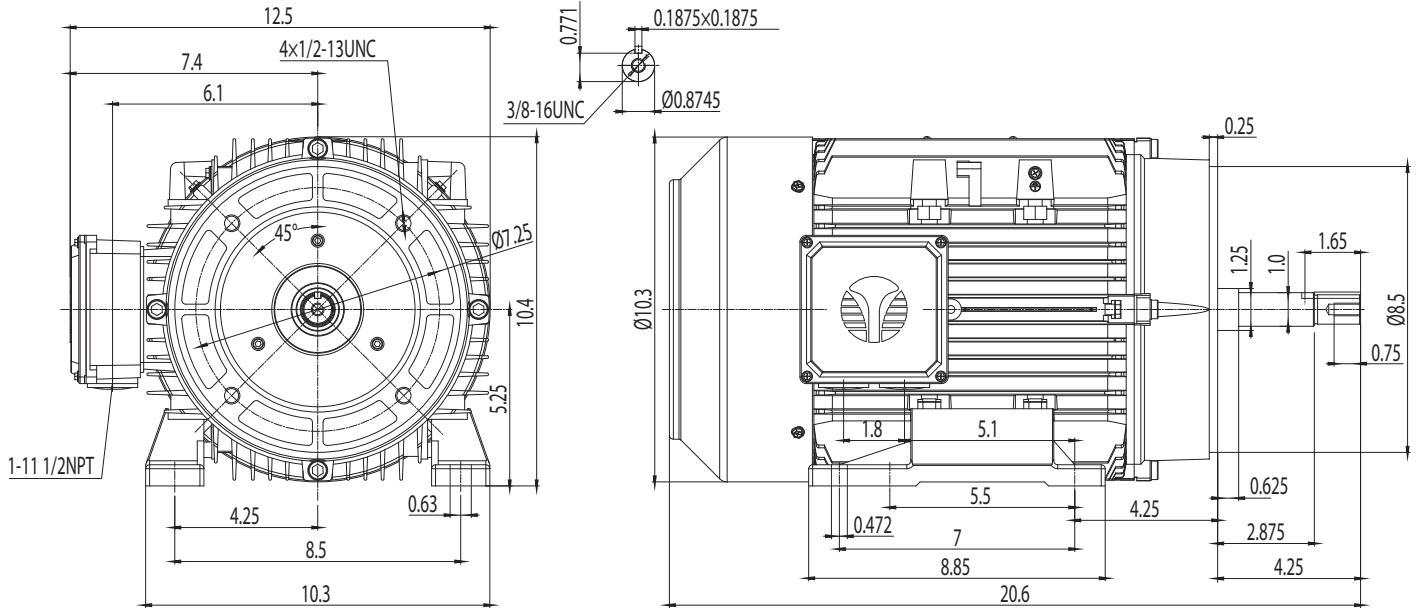
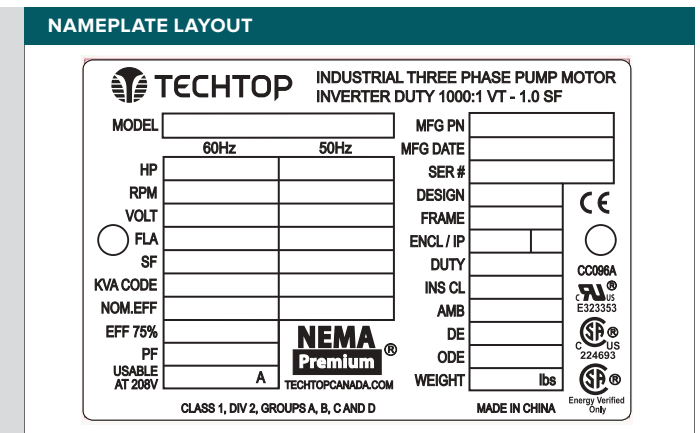


**NEMA**

**Model JMA0074FP**  
**MFG PN: TXA213T7.5U4B-5**



NAMEPLATE DATA	60Hz	50Hz
Horse Power	7.5	7.5
RPM	1765	-
Voltage	575	-
Full Load Amps	7.08	-
Service Factor	1.25	-
KVA Code	L	-
Full Load Amps (208V)	-	-
Nominal Efficiency	91.7	-
Nominal Power Factor	0.85	-
Design	A	
Frame	213JM	
Enclosure Type	TEFC	
IP Rating	55	
Duty	Cont. / S1	
Insulation Class	F	
Ambient Rating	40	
Drive End Bearing	6308 2RS	
Opposite Drive End Bearing	6208 2RS	
Weight (lbs)	113	



VFD DUTY (S.F. 1.0)	RATIO	Hz*
Variable Torque	1000:1	2 - 60
Constant Torque	15:1	4 - 60

\*For max speed please contact Techtop Canada

HAZARDOUS LOCATIONS	CSA CERTIFIED	
Class / Division	I	II
Groups	A, B, C and D	

**Questions? Call 1.888.286.1820**