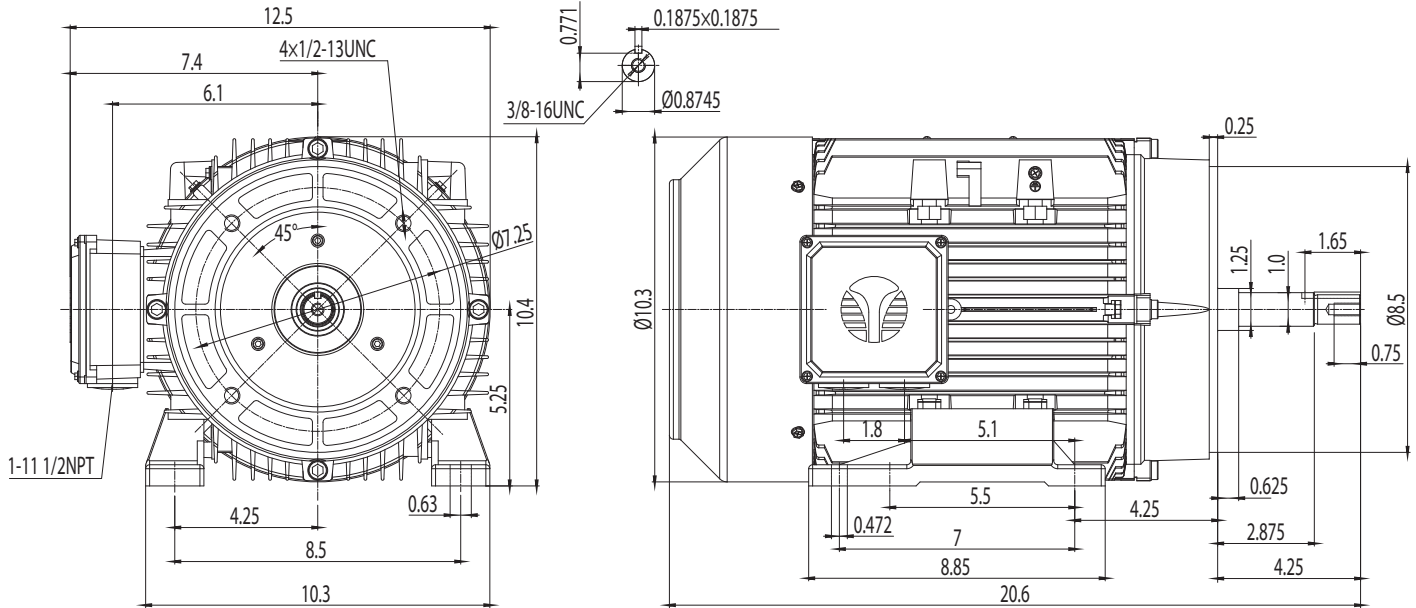


NEMA

Model JMA0056FP
MFG PN: TXA215T5U6B-5



NAMEPLATE DATA	60Hz	50Hz
Horse Power	5	5
RPM	1170	-
Voltage	575	-
Full Load Amps	5.69	-
Service Factor	1.25	-
KVA Code	J	-
Full Load Amps (208V)	-	-
Nominal Efficiency	89.5	-
Nominal Power Factor	0.73	-
Design	A	
Frame	215JM	
Enclosure Type	TEFC	
IP Rating	55	
Duty	Cont. / S1	
Insulation Class	F	
Ambient Rating	40	
Drive End Bearing	6308 2RS	
Opposite Drive End Bearing	6208 2RS	
Weight (lbs)	113	

NAMEPLATE LAYOUT	
<p>CLASS 1, DIV 2, GROUPS A, B, C AND D</p> <p>MADE IN CHINA</p>	

VFD DUTY (S.F. 1.0)	RATIO	Hz*
Variable Torque	1000:1	2 - 60
Constant Torque	15:1	4 - 60

*For max speed please contact Techtop Canada

HAZARDOUS LOCATIONS	CSA CERTIFIED	
Class / Division	I	II
Groups	A, B, C and D	

Questions? Call 1.888.286.1820