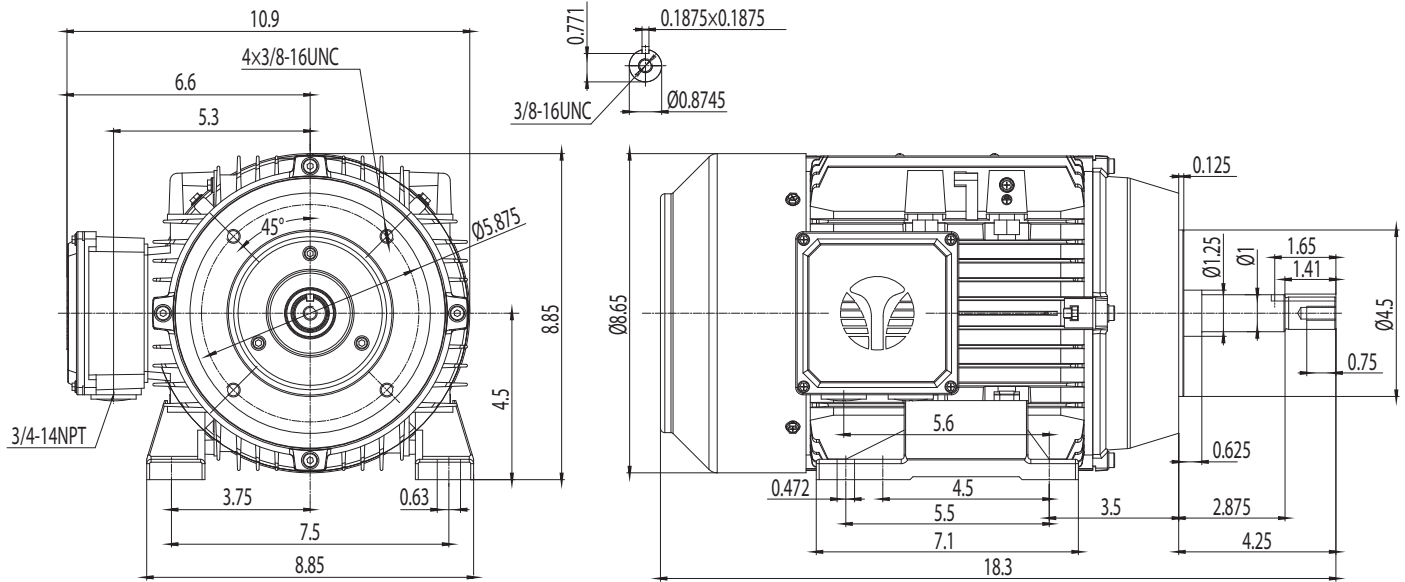


# NEMA

**Model JMA0034FP**  
**MFG PN: TXA182T3U4B-5**



NAMEPLATE DATA	60Hz	50Hz
Horse Power	3	3
RPM	1760	-
Voltage	575	-
Full Load Amps	3.05	-
Service Factor	1.25	-
KVA Code	L	-
Full Load Amps (208V)	-	-
Nominal Efficiency	89.5	-
Nominal Power Factor	0.81	-
Design	A	
Frame	182JM	
Enclosure Type	TEFC	
IP Rating	55	
Duty	Cont. / S1	
Insulation Class	F	
Ambient Rating	40	
Drive End Bearing	6207 2RS	
Opposite Drive End Bearing	6206 2RS	
Weight (lbs)	62	

**NAMEPLATE LAYOUT**

TECHTOP INDUSTRIAL THREE PHASE PUMP MOTOR  
 INVERTER DUTY 1000:1 VT - 1.0 SF

MODEL: [ ] 60Hz 50Hz MFG PN: [ ]  
 HP: [ ] RPM: [ ] VOLT: [ ] FLA: [ ] SF: [ ] KVA CODE: [ ] NOM.EFF: [ ] EFF 75%: [ ] PF: [ ]  
 USABLE AT 208V: [ ]

MFG DATE: [ ] SER #: [ ] DESIGN: [ ] FRAME: [ ] ENCL / IP: [ ] DUTY: [ ] INS CL: [ ] AMB: [ ] DE: [ ] ODE: [ ] WEIGHT: [ ] lbs

CLASS 1, DIV 2, GROUPS A, B, C AND D      MADE IN CHINA

VFD DUTY (S.F. 1.0)	RATIO	Hz*
Variable Torque	1000:1	2 - 60
Constant Torque	15:1	4 - 60

\*For max speed please contact Techtop Canada

HAZARDOUS LOCATIONS	CSA CERTIFIED	
Class / Division	I	II
Groups	A, B, C and D	

**Questions? Call 1.888.286.1820**