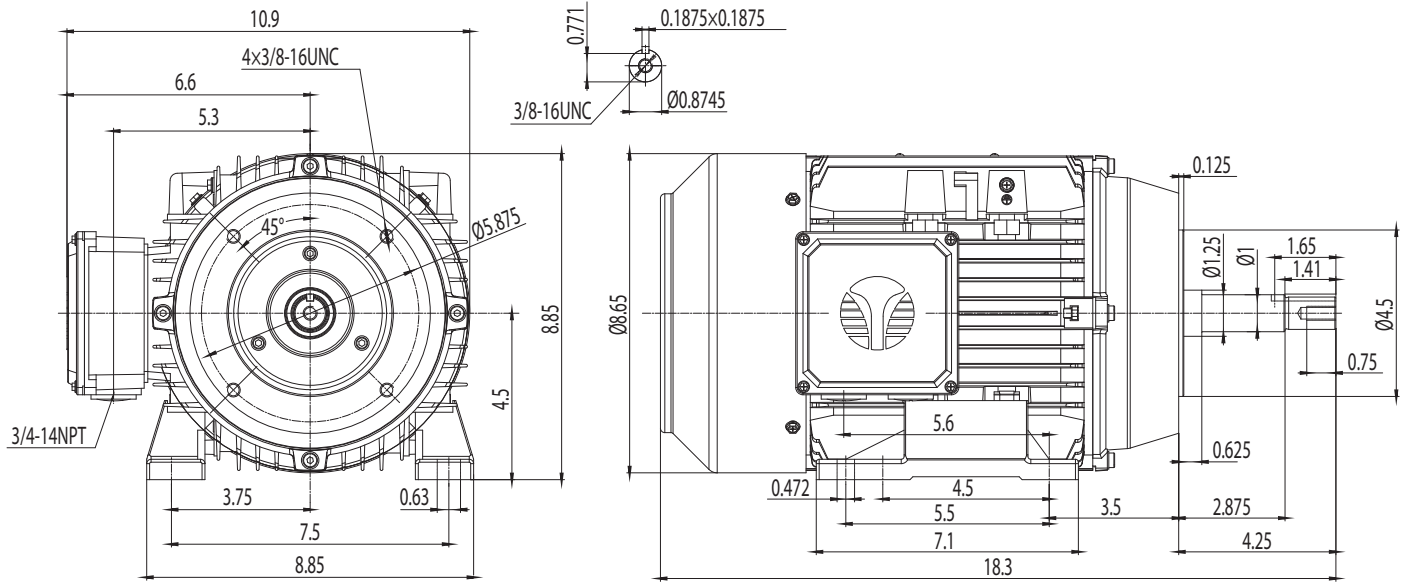


NEMA

Model JMA0034DP
MFG PN: T182T 3U4B



NAMEPLATE DATA	60Hz	50Hz
Horse Power	3	3
RPM	1760	1455
Voltage	230/460	190/380
Full Load Amps	7.62/3.81	8.86/4.43
Service Factor	1.25	1
KVA Code	L	J
Full Load Amps (208V)	8.03	-
Nominal Efficiency	89.5	88.4
Nominal Power Factor	0.81	-
Design	A	
Frame	182JM	
Enclosure Type	TEFC	
IP Rating	55	
Duty	Cont. / S1	
Insulation Class	F	
Ambient Rating	40	
Drive End Bearing	6207 2RS	
Opposite Drive End Bearing	6206 2RS	
Weight (lbs)	62	

NAMEPLATE LAYOUT		
INDUSTRIAL THREE PHASE PUMP MOTOR INVERTER DUTY 1000:1 VT - 1.0 SF		
MODEL	60Hz	50Hz
HP		
RPM		
VOLT		
FLA		
SF		
KVA CODE		
NOM.EFF		
EFF 75%		
PF		
USABLE AT 208V		
MFG PN		
MFG DATE		
SER #		
DESIGN		
FRAME		
ENCL / IP		
DUTY		
INS CL		
AMB		
DE		
ODE		
WEIGHT	lbs	
NEMA Premium <small>TECHTOPCANADA.COM</small>		
CLASS 1, DIV 2, GROUPS A, B, C AND D		
CE CC088A E323353 SP <small>224653</small> Energy Verified		
MADE IN CHINA		

VFD DUTY (S.F. 1.0)	RATIO	Hz*
Variable Torque	30:1	2 - 60
Constant Torque	15:1	4 - 60

*For max speed please contact Techtop Canada

HAZARDOUS LOCATIONS	CSA CERTIFIED
Class / Division	Class I, Division II
Groups	A, B, C & D

Questions? Call 1.888.286.1820