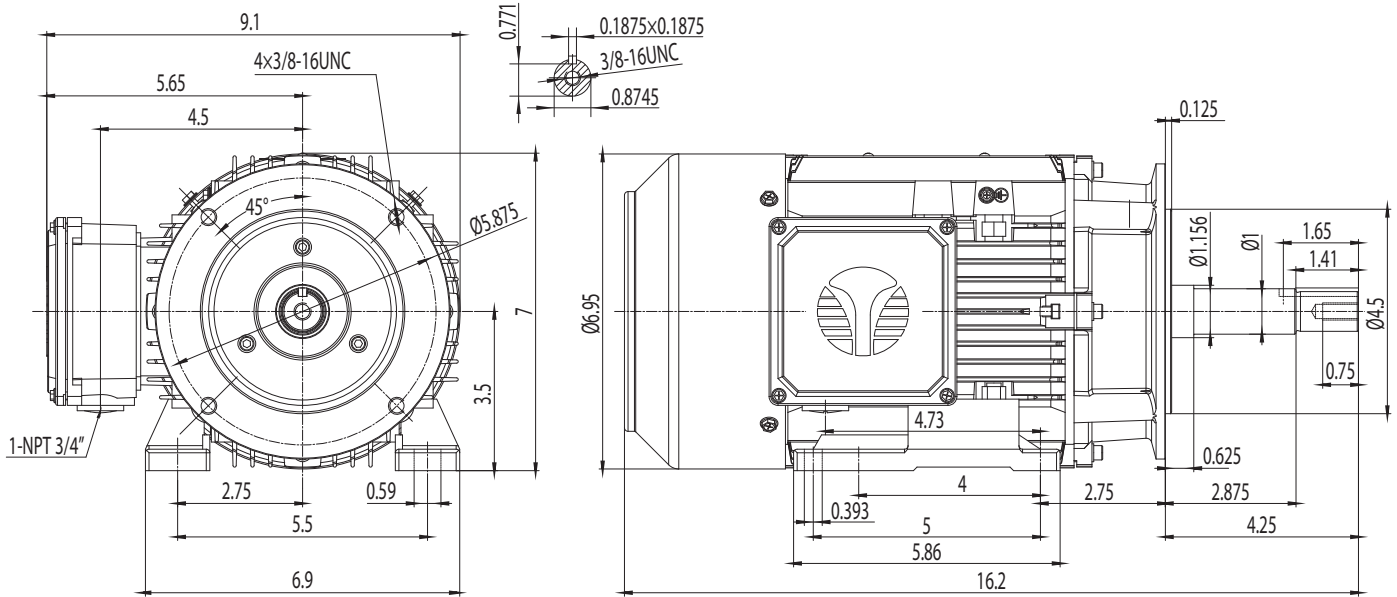


**NEMA**

**Model JMA0014DP**  
**MFG PN: T145T 1.5U4B**



NAMEPLATE DATA	60Hz	50Hz
Horse Power	1.5	1.5
RPM	1740	1430
Voltage	230/460	190/380
Full Load Amps	4.36/2.18	5.06/2.53
Service Factor	1.25	1
KVA Code	K	H
Full Load Amps (208V)	4.48	-
Nominal Efficiency	86.5	84.7
Nominal Power Factor	0.74	-
Design	B	
Frame	145JM	
Enclosure Type	TEFC	
IP Rating	55	
Duty	Cont. / S1	
Insulation Class	F	
Ambient Rating	40	
Drive End Bearing	6206 2RS	
Opposite Drive End Bearing	6205 2RS	
Weight (lbs)	34.5	

**NAMEPLATE LAYOUT**

TECHTOP INDUSTRIAL THREE PHASE PUMP MOTOR  
 INVERTER DUTY 1000:1 VT - 1.0 SF

MODEL: [ ] 60Hz 50Hz MFG PN: [ ]  
 HP: [ ] SER #: [ ]  
 RPM: [ ] DESIGN: [ ]  
 VOLT: [ ] FRAME: [ ]  
 FLA: [ ] ENCL / IP: [ ]  
 SF: [ ] DUTY: [ ]  
 KVA CODE: [ ] INS CL: [ ]  
 NOM.EFF: [ ] AMB: [ ]  
 EFF 75%: [ ] DE: [ ]  
 PF: [ ] ODE: [ ]  
 USABLE AT 208V: [ ] WEIGHT: [ ] lbs

CLASS 1, DIV 2, GROUPS A, B, C AND D  
 MADE IN CHINA

Logos: CE, CC088A, E323353, NEMA Premium, TECHTOPCANADA.COM, IEC 224653, Energy Verified Only.

VFD DUTY (S.F. 1.0)	RATIO	Hz*
Variable Torque	30:1	2 - 60
Constant Torque	15:1	4 - 60

\*For max speed please contact Techtop Canada

HAZARDOUS LOCATIONS	CSA CERTIFIED
Class / Division	Class I, Division II
Groups	A, B, C & D

**Questions? Call 1.888.286.1820**