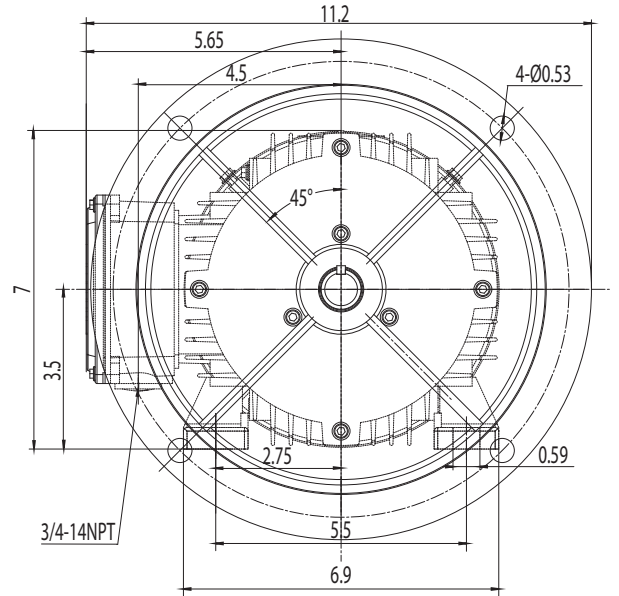
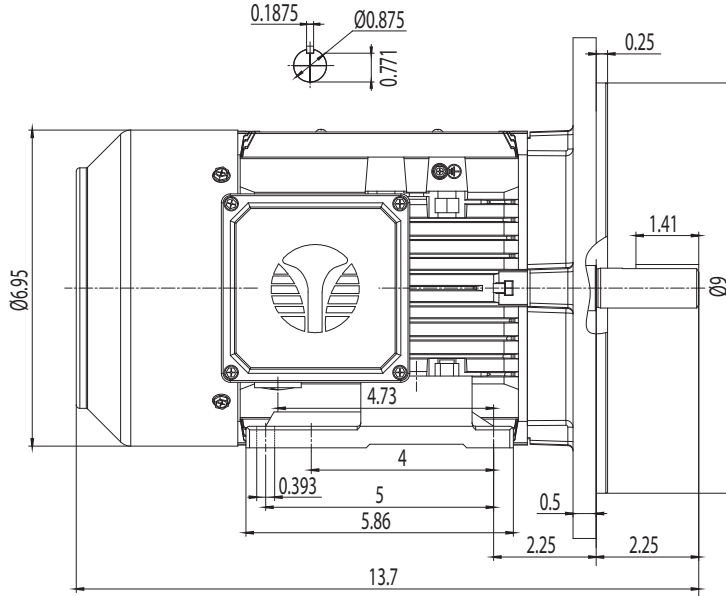


NEMA

Model GRA0004F-TD-01
MFG PN: T143T 1U4B



NAMEPLATE DATA	60Hz	50Hz
Horse Power	1	1
RPM	1730	-
Voltage	575	-
Full Load Amps	1.19	-
Service Factor	1.25	-
KVA Code	K	-
Full Load Amps (208V)	-	-
Nominal Efficiency	85.5	-
Nominal Power Factor	0.74	-
Design	B	
Frame	143TD	
Enclosure Type	TEFC	
IP Rating	55	
Duty	Cont. / S1	
Insulation Class	F	
Ambient Rating	40	
Drive End Bearing	6205ZZ	
Opposite Drive End Bearing	6205ZZ	
Weight (lbs)	28	

NAMEPLATE LAYOUT

VFD DUTY (S.F. 1.0)	RATIO	Hz*
Variable Torque	30:1	2 - 60
Constant Torque	15:1	4 - 60

*For max speed please contact Techtop Canada

HAZARDOUS LOCATIONS	CSA CERTIFIED
Class / Division	Class I, Division II
Groups	A, B, C & D

Questions? Call 1.888.286.1820