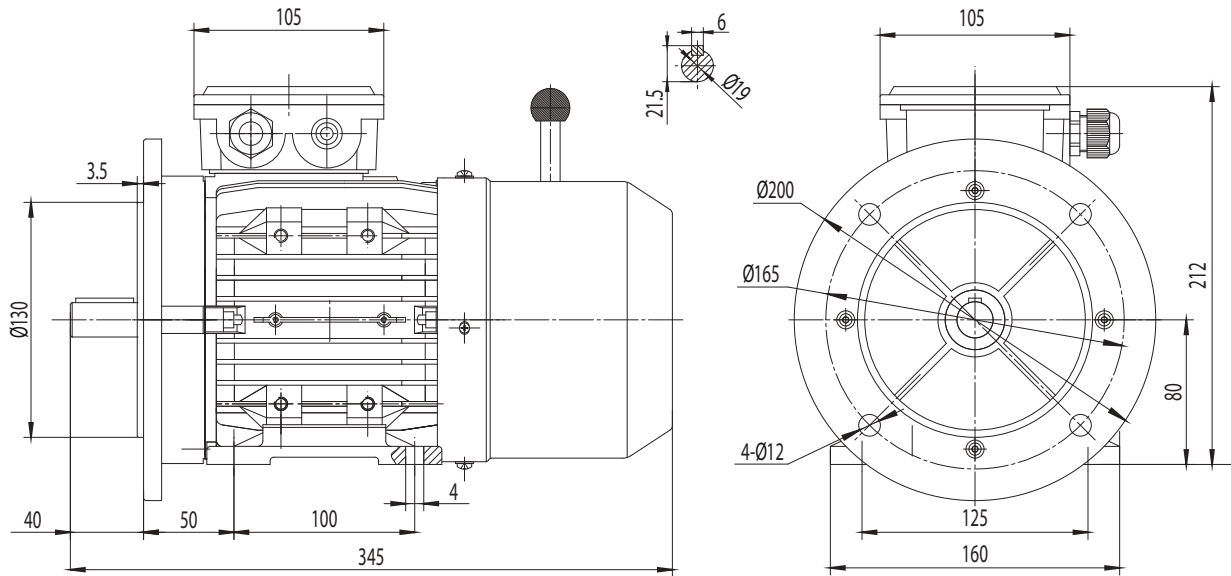




Model BMM80B2F-B35
 MFG PN: TM802-2-F



NAMEPLATE DATA	60Hz	50Hz
HP/kW	1.5/1.1	1.5/1.1
RPM	3440	-
Voltage	575	-
Full Load Amps	1.69	-
Service Factor	1.15	1
KVA Code	J	-
Full Load Amps (208V)	-	-
Nominal Efficiency	79.5	-
Nominal Power Factor	0.82	-
Design	-	
Frame	80	
Enclosure Type	TEFC	
IP Rating	55	
Duty	Cont. / S1	
Insulation Class	F	
Ambient Rating	40	
Drive End Bearing	6204ZZ	
Opposite Drive End Bearing	6204ZZ	
Weight (lbs)	29.5	

NAMEPLATE LAYOUT		
TECHTOP INDUSTRIAL THREE PHASE MOTOR INVERTER DUTY 4:1 CT 10:1 VT - 1.0 SF		
MODEL	MFG PN	
60Hz 50Hz		MFG DATE
HP/KW		SER #
RPM		DESIGN
VOLT		FRAME
FLA		ENCL / IP
SF		TEFC 55
KVA CODE		DUTY
NOM.EFF		INS CL
EFF 75%		AMB
PF		DE
USABLE AT 208V	A	ODE
TECHTOPCANADA.COM		WEIGHT
BRAKE: NM FT-LBS VOLTS: VAC VDC	MADE IN CHINA	lbs

VFD DUTY (S.F. 1.0)	RATIO	Hz*
Variable Torque	10:1	6 - 60
Constant Torque	4:1	12 - 60

*For max speed please contact Techtop Canada

DC BRAKE DATA		
Brake Torque (Nm / ft.lb)	8	5.9
Brake Volts (VDC / VAC)	250	575

Questions? Call 1.888.286.1820