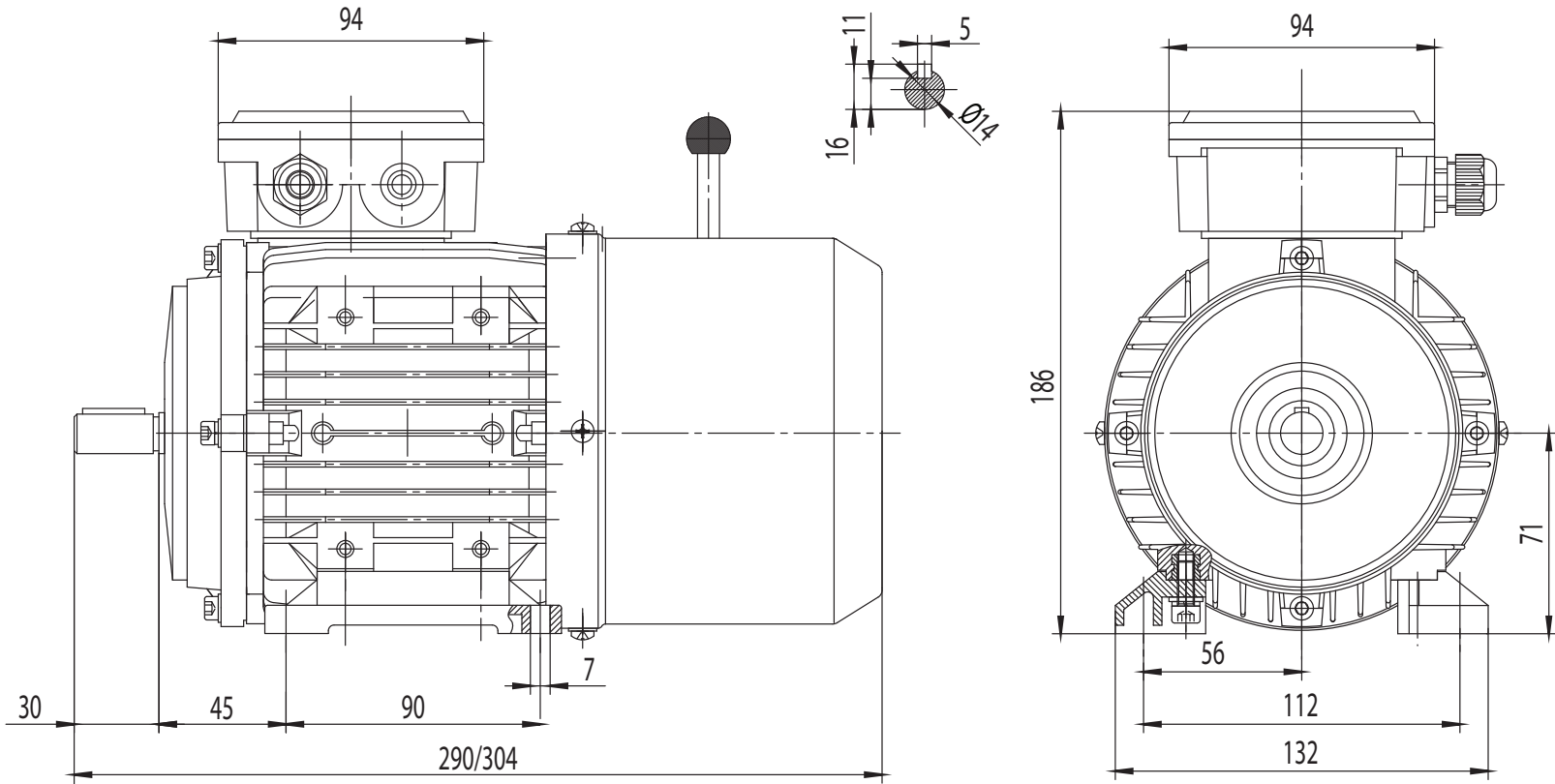




Model **BMM71B4D**

MFG PN: TM712-4



**IE1 TEFC 71**

**DRAWING NUMBER:**

BL3-AL-TF-71B3-BRK

**ISSUED DATE**

20/07/19

**DIMENSIONS:**

mm

**MOUNTING:**

B3

**CASING MATERIAL:**

Cast Aluminum

METRIC IE1/IE3 BRAKE MOTORS