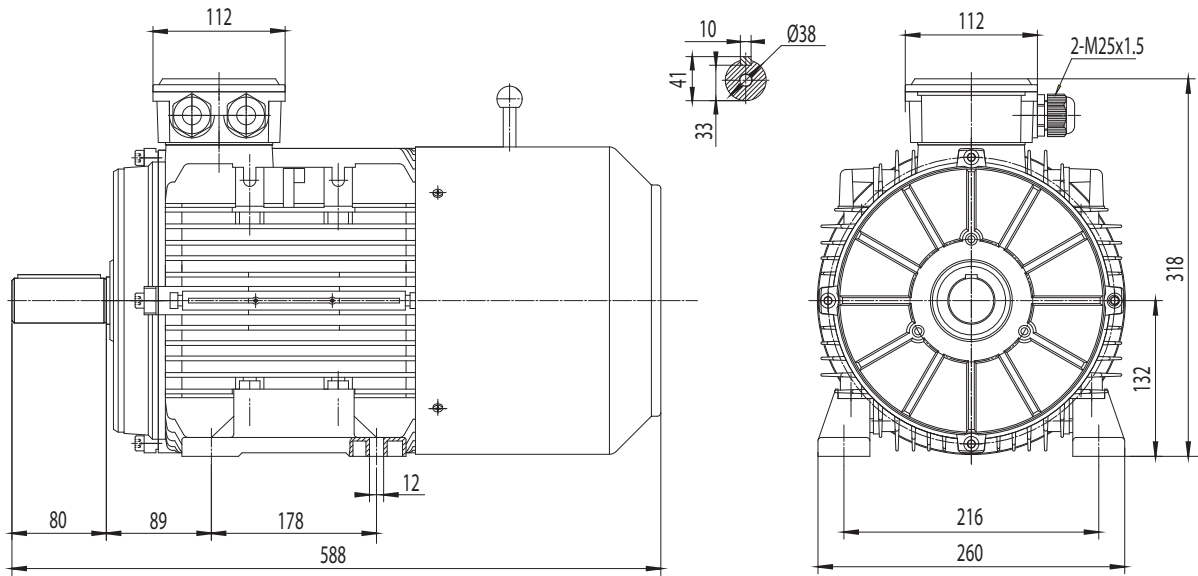




Model BMM132MB6F
 MFG PN: TAX132M2-6-F



NAMEPLATE DATA	60Hz	50Hz
HP/kW	7.5/5.5	7.5/5.5
RPM	1170	-
Voltage	575	-
Full Load Amps	8.08	-
Service Factor	1.15	1
KVA Code	L	-
Full Load Amps (208V)	-	-
Nominal Efficiency	91	-
Nominal Power Factor	0.75	-
Design	-	
Frame	132M	
Enclosure Type	TEFC	
IP Rating	55	
Duty	Cont. / S1	
Insulation Class	F	
Ambient Rating	40	
Drive End Bearing	6308ZZ	
Opposite Drive End Bearing	6208ZZ	
Weight (lbs)	168.3	

NAMEPLATE LAYOUT	
INDUSTRIAL THREE PHASE MOTOR INVERTER DUTY 15:1 CT 30:1 VT - 1.0 SF	
MODEL	MFG PN
60Hz	50Hz
HP/KW	MFG DATE
RPM	SER #
VOLT	DESIGN
FLA	FRAME
SF	ENCL / IP
KVA CODE	TEFC 55
NOM.EFF	DUTY
EFF 75%	INS CL
PF	AMB
USABLE AT 208V	DE
A	ODE
TECHTOPCANADA.COM	WEIGHT
BRAKE: NM FT-LBS VOLTS: VAC VDC	MADE IN CHINA
NEMA Premium TECHTOPCANADA.COM	
CC088A E323353	
UL 224653	
Energy Verified Only	

VFD DUTY (S.F. 1.0)	RATIO	Hz*
Variable Torque	30:1	2 - 60
Constant Torque	15:1	4 - 60

*For max speed please contact Techtop Canada

DC BRAKE DATA		
Brake Torque (Nm / ft.lb)	100	73.8
Brake Volts (VDC / VAC)	250	575

Questions? Call 1.888.286.1820