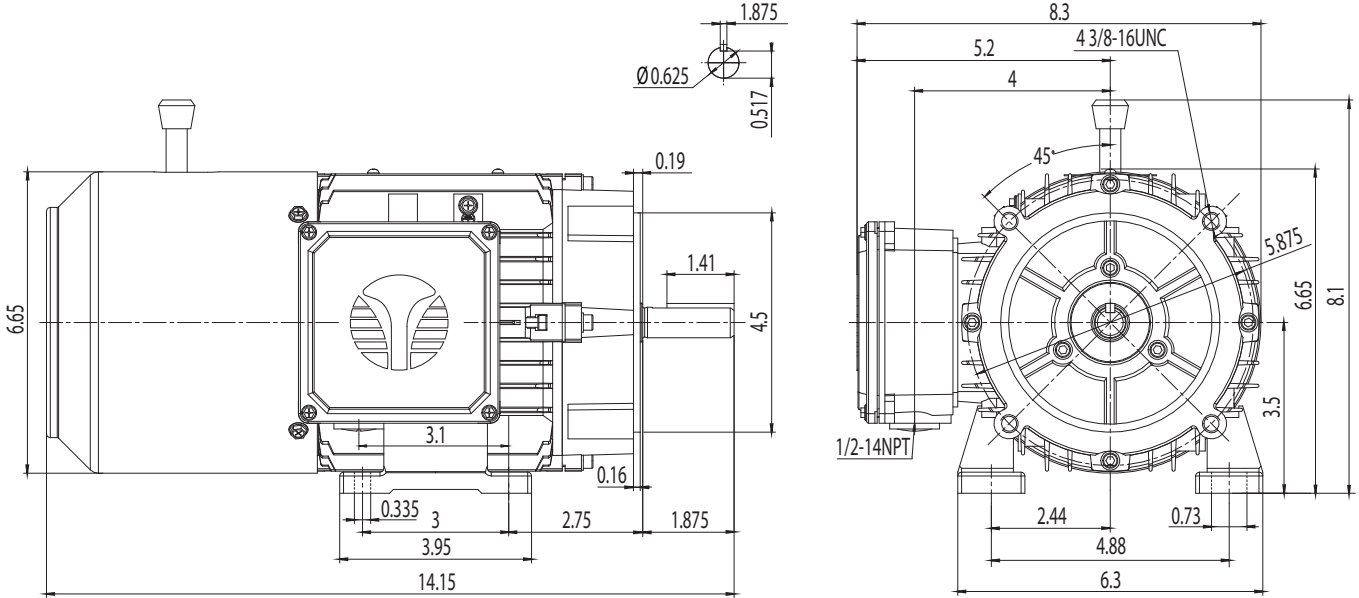


NEMA

Model BMB.754D-C
MFG PN: T56 3/4U4B



NAMEPLATE DATA	60Hz	50Hz
Horse Power	0.75	0.75
RPM	1750	1430
Voltage	208-230/460	190/380
Full Load Amps	2.48-2.5/1.25	2.82/1.41
Service Factor	1.25	1
KVA Code	L	H
Full Load Amps (208V)	2.48	-
Nominal Efficiency	81.5	77
Nominal Power Factor	0.68	-
Design	B	
Frame	56C	
Enclosure Type	TEFC	
IP Rating	55	
Duty	Cont. / S1	
Insulation Class	F	
Ambient Rating	40	
Drive End Bearing	6204ZZ	
Opposite Drive End Bearing	6204ZZ	
Weight (lbs)	27.4	

NAMEPLATE LAYOUT

TECHTOP INDUSTRIAL THREE PHASE MOTOR
 INVERTER DUTY 15:1 CT 30:1 VT - 1.0 SF

MODEL: _____ MFG PN: _____
 60Hz 50Hz MFG DATE: _____
 HP: _____ SER #: _____
 RPM: _____ DESIGN: _____
 VOLT: _____ FRAME: _____
 FLA: _____ ENCL / IP: TEFC 55
 SF: _____ DUTY: _____
 KVA CODE: _____ INS CL: _____
 NOM.EFF: _____ AMB: _____
 EFF 75%: _____ DE: _____
 PF: _____ ODE: _____
 USABLE AT 208V: _____ WEIGHT: _____ lbs
 BRAKE: NM FT-LBS VOLTS: VAC VDC MADE IN CHINA

VFD DUTY (S.F. 1.0)	RATIO	Hz*
Variable Torque	30:1	2 - 60
Constant Torque	15:1	4 - 60

*For max speed please contact Techtop Canada

DC BRAKE DATA		
Brake Torque (Nm / ft.lb)	8	5.9
Brake Volts (VDC / VAC)	205	230

Questions? Call 1.888.286.1820