

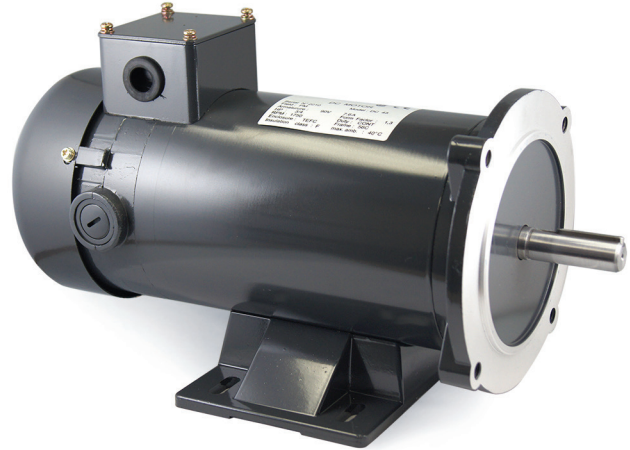
PERMANENT MAGNET DC MOTORS

1/8 - 3HP, 90 & 180VDC, TEFC & TENV



PRODUCT OVERVIEW

Designed for use on SCR and PWM type direct current adjustable speed drives and on across-the-line DC controls. Ideal applications include conveyors, turntables, packaging or anywhere adjustable speed and constant torque is required.



BASIC SPECIFICATIONS

- Power Ratings from 1/8 to 3HP
- Direct Current, 4 pole motors
- 90 and 180VDC
- Totally Enclosed Fan Cooled (TEFC)
- Totally Enclosed Non-Ventilated (TENV)

STANDARD FEATURES

- SCR Rated
- 20:1 Constant Torque speed range
- 1.15 Service Factor
- 12 Month warranty
- Cold rolled steel construction with NEMA c-flanges and removable bases
- Double shielded permanently lubricated ball bearings
- 1045 Steel shaft
- Surface finish:
 - Alkyd enamel RAL7024 - Graphite Gray
- Corrosion resistant hardware
- Replacement parts available

OPERATING PARAMETERS

- Continuous (S1) duty
- Ambient temperatures up to 40°C
- Installation up to 1000 MASL (3300 ft.)

INGRESS PROTECTION

The standard degree of enclosure protection is IP44 (Weather Proof). Conduit box lid and body are sealed with fitted foam gaskets.

INSULATION RATING

- 20:1 Constant Torque speed range
- Class F Insulation
- Designed to Class B temperature rise



PERMANENT MAGNET DC MOTORS

1/8 - 3HP, 90 & 180VDC, TEFC & TENV



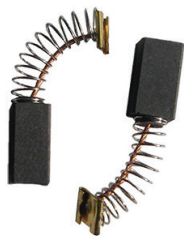
PURCHASING DATA

56C - 145TC Frame Foot-Mount					SCR Rated PM DC Motors				
HP	MODEL	Sync. RPM	NEMA Frame	Enclosure	Voltage	Full Load Amps (A)	Shipping Weight (lbs.)	"C" Dim. (in.)	List Price
1/4	DC38	1800	56C	TEFC	90	2.9	21	11.6	\$205
	DC38N	1800	56C	TENV	90	2.9	21	11.2	\$205
1/3	DC40N	1800	56C	TENV	90	3.6	23	11.2	\$222
1/2	DC41	1800	56C	TEFC	90	5.2	25	12.4	\$262
	DC41N	1800	56C	TENV	90	5.2	25	12.0	\$262
	DC60	1800	56C	TEFC	180	2.6	25	12.4	\$262
3/4	DC43	1800	56C	TEFC	90	7.8	30	13.9	\$288
	DC61	1800	56C	TEFC	180	3.9	30	13.9	\$288
1	DC44	1800	56C	TEFC	90	10.4	33	14.8	\$328
	DC62	1800	56C	TEFC	180	5.2	33	14.8	\$328
1.5	DC80	1800	145TC	TEFC	180	7.2	45	16.0	\$806
2	DC81	1800	145TC	TEFC	180	10.4	55	16.8	\$900
3	DC82	1800	145TC	TEFC	180	17.0	70	17.7	\$1,010



IEC 63 B14 Frame Round Body				SCR Rated PM DC Motors					
HP	MODEL	Sync. RPM	IEC Frame	Enclosure	Voltage	Full Load Amps (A)	Shipping Weight (lbs.)	"C" Dim. (mm)	List Price
1/8	DC18	1800	63 B14	TENV	90	1.4	6	167	\$250
1/4	DC14	1800	63 B14	TENV	90	2.8	8	216	\$262

PM DC Motor Replacement Parts		
MODEL	Description	List Price
DCB2	Carbon Brush for IEC 63 B14 frame motor, 10mm x 5mm	\$25
DCC2	Brush Cap for IEC 63 B14 frame motor	\$9
DCB3	Carbon Brush for NEMA 56C frame motor, 16mm x 6mm	\$25
DCC3	Brush Cap for NEMA 56C frame motor	\$9
DCB8	Carbon Brush for NEMA 145TC frame motor, 18mm x 10mm	\$39
DCC8	Brush Cap for NEMA 145TC frame motor	\$9



General Purpose 3Φ

Pump Motors 3Φ

Brake Motors 3Φ

General Purpose 1Φ

Farm Duty 1Φ

PM DC

Accessories

DIMENSIONAL DRAWINGS

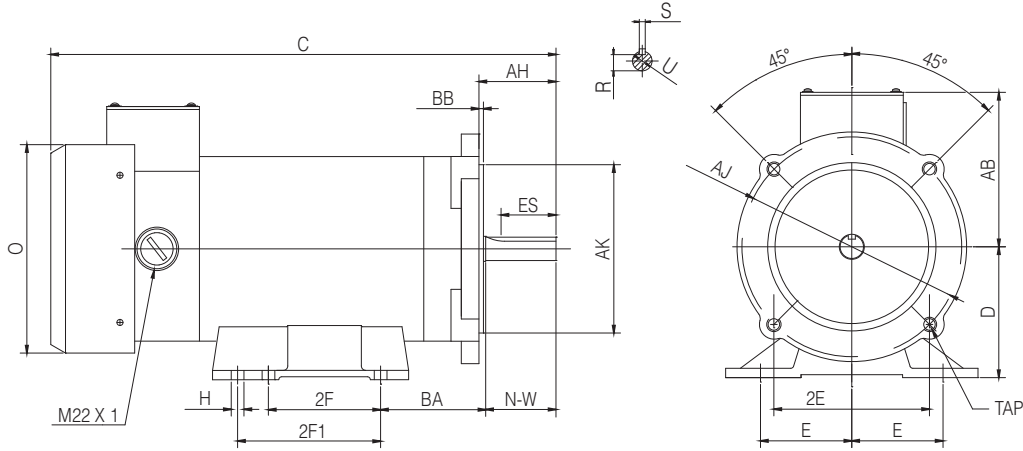


Figure 1 - NEMA 56C/140TC Frame

Dimensions are in inches

NEMA Frame (HP)	Encl.	Foot Mounting				Shaft						General			NEMA C-Flange					
		2E	2F	2F1	H	BA	N-W	U	S	R	ES	AH	C	D	O	AB	AJ	AK	BB	TAP
56C (1/4)	TEFC	4.88	3.0	--	0.34	2.75	1.875	0.625	0.188	0.517	1.41	2.063	11.63	3.5	5.625	4.0	5.875	4.50	0.125	3*75-16
56C (1/4)	TENV	4.88	3.0	--	0.34	2.75	1.875	0.625	0.188	0.517	1.41	2.063	11.18	3.5	5.625	4.0	5.875	4.50	0.125	3*75-16
56C (1/3)	TEFC	4.88	3.0	--	0.34	2.75	1.875	0.625	0.188	0.517	1.41	2.063	11.63	3.5	5.625	4.0	5.875	4.50	0.125	3*75-16
56C (1/3)	TENV	4.88	3.0	--	0.34	2.75	1.875	0.625	0.188	0.517	1.41	2.063	11.18	3.5	5.625	4.0	5.875	4.50	0.125	3*75-16
56C (1/2)	TEFC	4.88	3.0	--	0.34	2.75	1.875	0.625	0.188	0.517	1.41	2.063	12.44	3.5	5.625	4.0	5.875	4.50	0.125	3*75-16
56C (1/2)	TENV	4.88	3.0	--	0.34	2.75	1.875	0.625	0.188	0.517	1.41	2.063	12.01	3.5	5.625	4.0	5.875	4.50	0.125	3*75-16
56C (3/4)	TEFC	4.88	3.0	--	0.34	2.75	1.875	0.625	0.188	0.517	1.41	2.063	13.94	3.5	5.625	4.0	5.875	4.50	0.125	3*75-16
56C (1)	TEFC	4.88	3.0	--	0.34	2.75	1.875	0.625	0.188	0.517	1.41	2.063	14.75	3.5	5.625	4.0	5.875	4.50	0.125	3*75-16
145TC (1.5)	TEFC	5.5	4.0	5.0	0.32	2.75	2.0	0.875	0.188	0.771	1.41	2.120	16.00	3.5	7.0	4.5	5.875	4.50	0.125	3*75-16
145TC (2)	TEFC	5.5	4.0	5.0	0.32	2.75	2.0	0.875	0.188	0.771	1.41	2.120	16.75	3.5	7.0	4.5	5.875	4.50	0.125	3*75-16
145TC (3)	TEFC	5.5	4.0	5.0	0.32	2.75	2.0	0.875	0.188	0.771	1.41	2.120	17.72	3.5	7.0	4.5	5.875	4.50	0.125	3*75-16

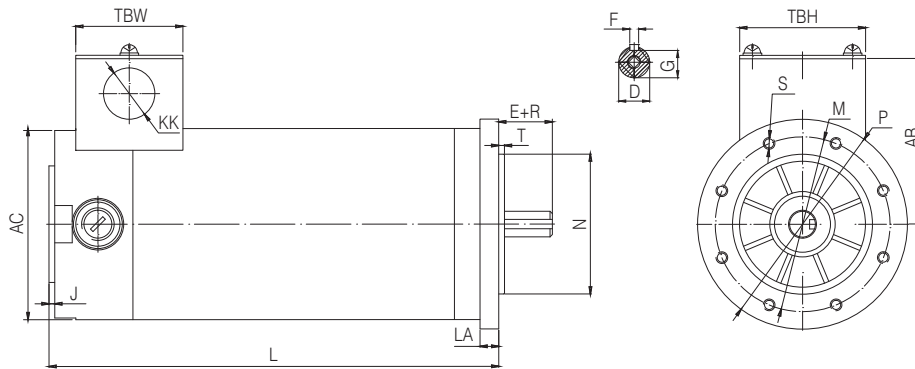


Figure 2 - IEC 63 B14 C-Flange

Dimensions are in mm

IEC Frame (HP)	Encl.	Shaft				General							IEC B14 C-Flange					
		D	F	G	E+R	AC	AD	L	J	TBW	TBH	KK	M	N	P	T	LA	S
63 B14 (1/8)	TENV	Ø11	4	8.5	23	Ø82	71	144	2.5	65	54	Ø22	Ø75	Ø60	Ø90	2.5	8	8-M5
63 B14 (1/4)	TENV	Ø11	4	8.5	23	Ø82	71	193	2.5	65	54	Ø22	Ø75	Ø60	Ø90	2.5	8	8-M5