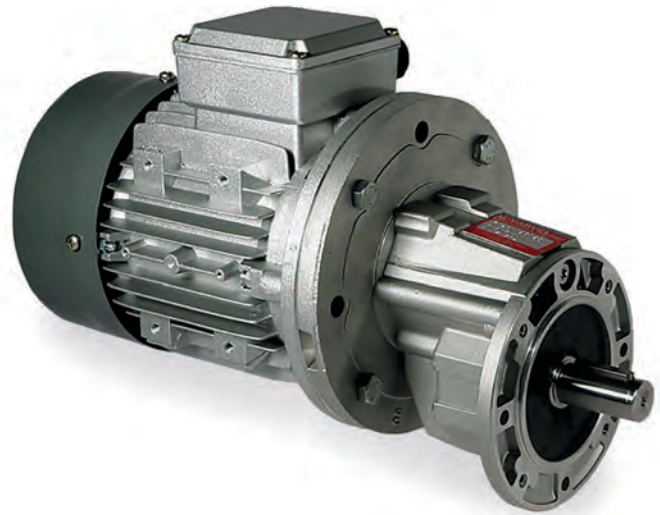


XA GEARBOXES

BASIC SPECIFICATIONS

- Power Ratings from 0.12 to 5HP
- Output Torque to 75 in-lbs
- Ratios from 3.4:1 to 8.4:1
- 4 Sizes available from stock



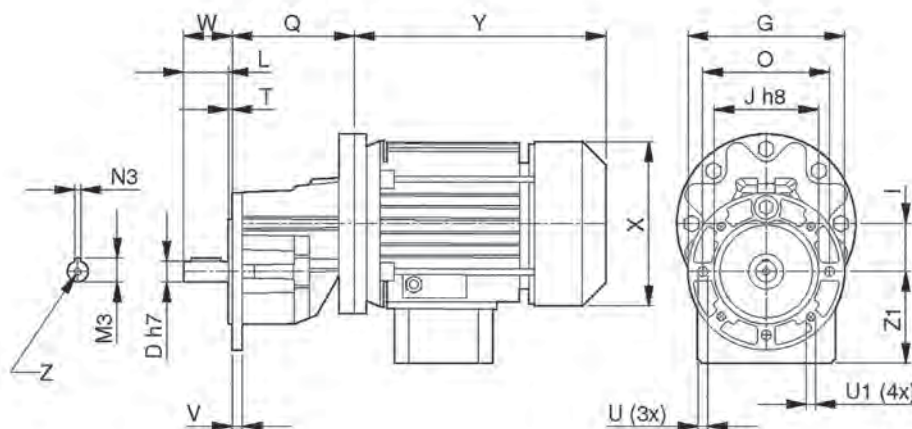
APPLICATIONS

- General purpose flange mounting B14
- Independent helical stage for fitting to FRT input for helical worm reduction

STANDARD FEATURES

- Vent free design, factory lubricated with premium synthetic long life gear lubricant with an operating temperature range of -4°F to 131°F (-20°C to 55°C)
- Precision machined single-piece aluminum alloy housing designed for lightweight with high tensile strength mountable to RT models
- Unparalleled flexibility: some sizes accept both NEMA and IEC inputs

Type XA	MODEL	XA Reducer		Ratios	Available Input Flanges	
		List	Shaft Size (mm)	Available	NEMA	IEC (B5/B14)
	XA63	\$300	14	3.5, 6.2, 7.8	--	56/63
	XA71	\$352	19	3.5, 6.4, 8.0	--	71
	XA80	\$429	24	3.4, 6.4, 8.3	--	80/90
	XA100	\$1,119	28	3.9, 6.2, 8.4	56/140/180	80/90/100/112



Dimensions are in **mm**

Dimensions	XA	Output Shaft				Output Flange							General	
		D H7	W	L	Z	G	O	J H8	T	V	U	U1	Q	I
	63	14	32.5	30	M5x10	105	85	70	2.5	7	6.5	M6	83	32
	71	19	42.5	40	M8x20	120	100	80	2.5	7.5	6.5	M6	90	40
	80	24	52	49.5	M8x20	140	115	95	2.5	10.5	9	M8	114	50
	100	28	60	57.5	M10x22	200	165	130	2.5	12	10.5	10.5	177	63